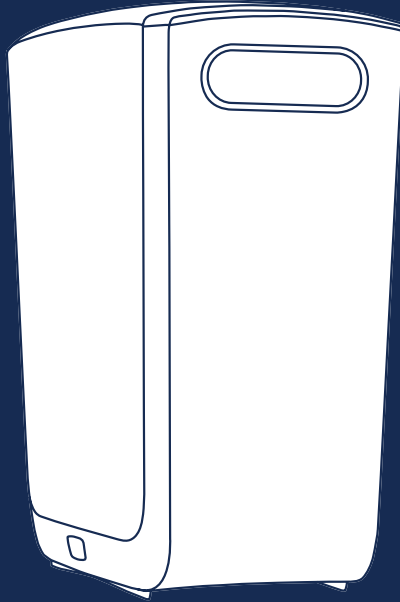


OWNER'S MANUAL



BLUEWATER CLEONE

WATER PURIFIER



Contents

Owner's manual - EN	03
Manuel du propriétaire - FR	11
Manual de uso - ES	19
Manual do proprietário - PT	27
Manuale del proprietario - IT	35
Bedienungsanleitung - DE	43
Instrukcja obsługi - PL	51
Руководство владельца - RU	59
Handbok - SE	67
Omistajan käsikirja - FI	75
Brukerhåndbok - NO	83
用戶手冊 - ZH	91
Panduan pemilik - ID	99
Εγχειρίδιο κατόχου - EL	107

About this manual


This manual gives you the necessary instructions to operate and do minor troubleshooting on the device. For more information scan the QR codes.

	<p>Bluewater global website www.bluewatergroup.com</p>		<p>Bluewater China website</p>
--	---	---	--------------------------------

Original language

The original language of this instruction is English, all other languages are translations of the original instruction.

Regulatory information



Description	
	<p>The water treatment appliance complies with European legislation regarding health, safety and environmental protection, and can be sold in Europe.</p>

Limited warranty

Refer to www.bluewatergroup.com for more information on Limited warranty.

Symbols

The following symbols can be found on the Cleone:

Symbol	Description	Symbol	Description
	<p>The water treatment appliance is certified by the Water Quality Association to NSF/ANSI 58.</p>		<p>The ETL Listed Mark is proof that the device has been independently tested and meets the applicable published standard.</p>

SAFETY	04
Safety instructions	04
Safety information.....	04
PRODUCT OVERVIEW.....	05
Cleone outside.....	05
Cleone inside.....	06
SYSTEM OVERVIEW	07
System description.....	07
Installation.....	07
Intended use.....	08
Water filtration system.....	08
Intelligent membrane flush.....	08
Water quality system	08
Leak protection system	08
Technical information	08
MAINTENANCE	09
Daily maintenance.....	09
Regular maintenance.....	09
TROUBLESHOOTING.....	10
How to solve simple problems	10

Customer service

See "Troubleshooting" to solve minor problems before calling service. If you need external service support, it can cost money. Make sure to have the following data (found on the data plate located behind the filter) available when calling Bluewater:

- Model
- Product number
- Serial number

Environment information



80% of the the water purifier components and its packaging have a label to help you recycle and discard it correctly. The water purifier is more efficient when it cleans water for longer periods. Example: do not fill a glass with water. Fill a jug instead.



Appliances bearing this symbol must be deposited at the designated local reception point for the disposal of electrical and electronic equipment.
This product may not be disposed by using the normal household refuse collection processes.

SAFETY

Safety instructions

Before you install or operate the device, you must read the safety information. Obey the instructions in this manual to prevent injuries or damage to the equipment. This manual contains CAUTIONS and NOTICES that are applicable for the safe operation of the device.



A CAUTION identifies conditions that can cause damage to the equipment. Obey the instructions and do not continue until all conditions are accepted and engaged.



A Note identifies important information for a trouble free and optimal use of Cleone.

Safety information



Do not disconnect the external water tubes, and do not do work on them. Speak to your Bluewater dealer for aid if you must disconnect water tubes. In an emergency, follow the instructions in the Complete User manual.



This appliance can be used by children who are more than 8 years old. It can also be used by persons with reduced physical, sensory or mental capabilities or lack of experience and knowledge, if they have been given supervision or instruction about the use of the appliance in a safe way and understand the hazards involved.



Do not repair or change the internal components of Cleone. This can make Cleone operate incorrectly, or make it dangerous to use.



Use only the original Bluewater power adapter as electrical power source for your Cleone. To use a different power adapter can make Cleone dangerous to use. It can also cause damage to internal parts of the Cleone. Do not use the cord if there are visible signs of damage on it. If the supply cord is damaged, replace it in order to prevent danger.



Only approved Bluewater staff can do servicing, maintenance and repairs on Cleone. Only use original replacement cartridges and parts from Bluewater.



Do not put Cleone in water. Clean the surface with a moist cloth and a weak soap solution. Do not use chemicals to clean the surface of Cleone. Alcohol, petrol, organic and inorganic acids, strong basic chemicals (such as concentrated dish washing detergent) will cause damage to the surface of Cleone.



Do not put or keep objects on top of Cleone.



Do not use Cleone on feed water that is microbiologically dangerous, or where the microbiological quality is not known.

PRODUCT OVERVIEW

EN

Model	Cleone Classic	Cleone Balance	Cleone Ultra	Cleone PurityPlus
UV lamp			✓	✓
Integrated mineral filter		✓		✓

Cleone outside

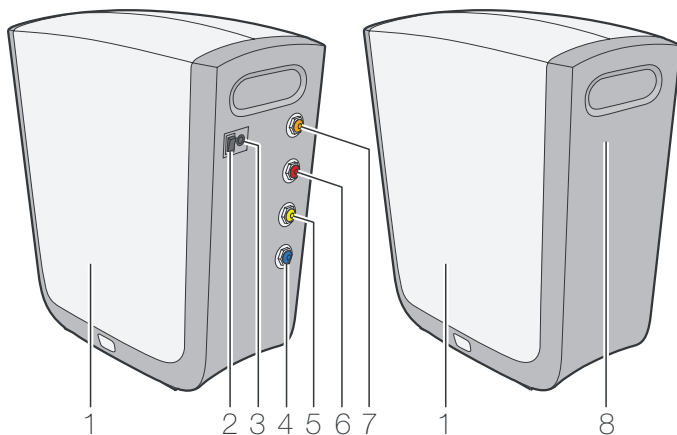


Figure 1. Cleone outside

Pos	Description	Pos	Description
1	Side cover	5	Clean water tank connector - YELLOW
2	Power switch	6	Drain water connector - RED
3	Electrical connection	7	Inlet water connector - ORANGE
4	Clean water faucet connector - BLUE	8	System operation indicator

Power switch

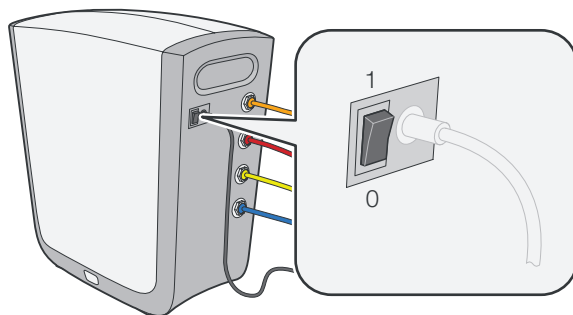


Figure 2. Power switch

Position	Description
1	Cleone is started. Water can be cleaned.
0	Cleone is stopped. No water is cleaned. Water from the clean water tank can be used until the tank is empty.

System operation indicator

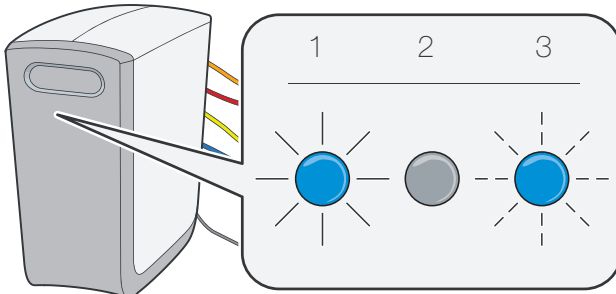


Figure 3. System operation indicator

Pos	Description
1	On – Cleone operates correctly.
2	Off – Cleone is shut off. If power switch is in position "1" see "Troubleshooting".
3	Flashes – There is a problem with Cleone. See "Troubleshooting" or contact your Bluewater dealer.

Cleone inside

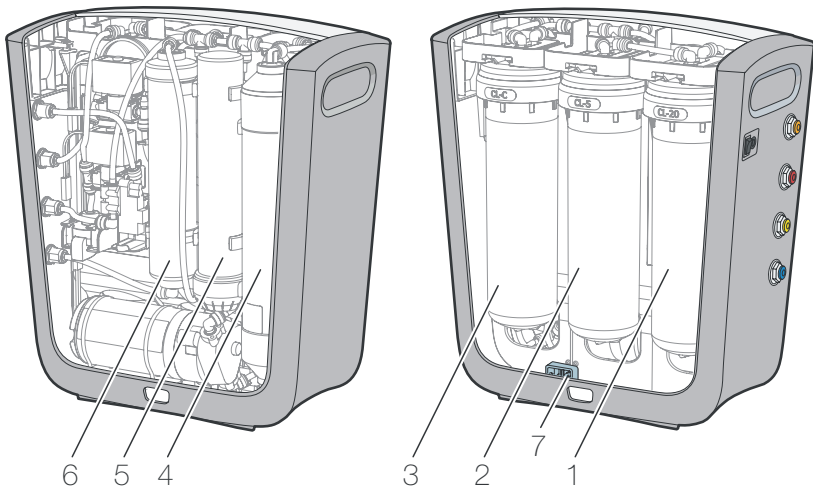


Figure 4. Cleone inside

Pos	Description	Pos	Description
1	Coarse sediment prefilter (CL-20)	5	Activated carbon postfilter (CL-Inline-C) UV lamp (Classic, Balance, Ultra) (PurityPlus)
2	Fine sediment prefilter (CL-5)	6	UV lamp Integrated mineral filter The position is left empty for Classic. (Ultra) (Balance, PurityPlus)
3	Activated carbon prefilter (CL-C)	7	Leak protection system switch
4	Reverse osmosis membrane		

SYSTEM OVERVIEW

System description

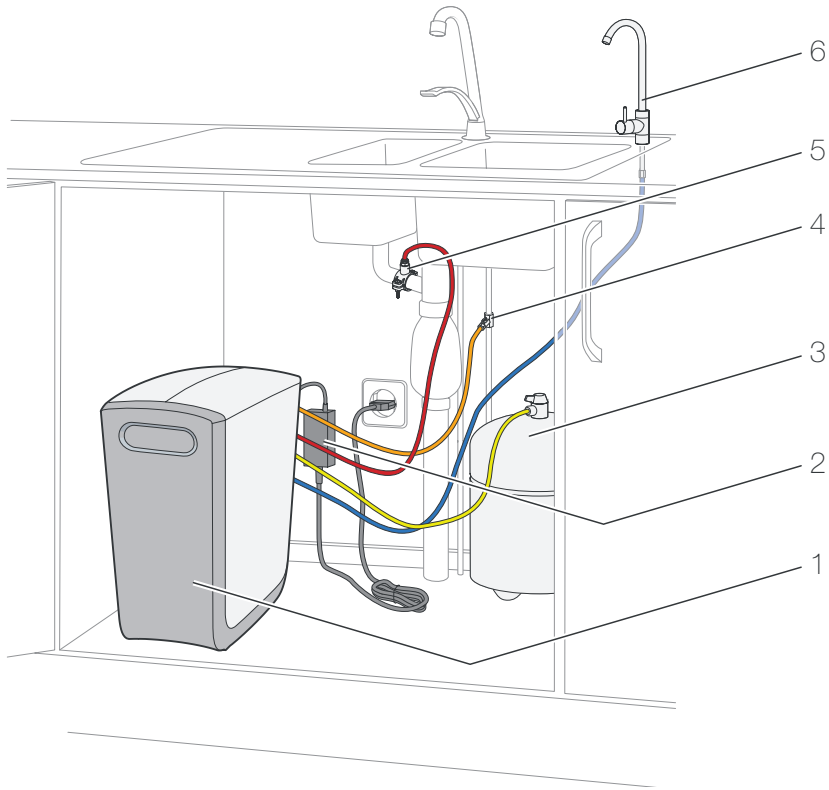


Figure 5. System overview

Pos	Description	Pos	Description
1	Cleone water purifier	4	Feed water connection
2	Power adapter	5	Drain water connection
3	Clean water tank	6	Clean water faucet

Installation



For installation in US special instructions are required. See Complete User manual.



We recommend that the Cleone is installed by a professional, who is recommended by an authorised Bluewater dealer. Installation instructions can be found on www.bluewatergroup.com.

Intended use

Cleone™ is a water purifier for home use. Do not use it for any other purpose. Any use beside indoor home environment and for purposes other than purifying water for household use is considered as unintended use and will automatically void your Cleone warranty.

Water filtration system

Cleone cleans water in three steps: prefiltration, membrane filtration and postfiltration. Clean water from Cleone is collected in the clean water tank. When the tank is full, Cleone is put in standby mode. When the clean water tank level is low, Cleone opens the feed water supply and starts to clean water.

Water connections

There are four water connectors on the connection side of Cleone. The collet rings and tubing have a color code.

Color	Connection	Description
ORANGE	Feed water	The feed water connection supplies feed water to Cleone.
RED	Drain water	Drain water from Cleone to the drain pipe contains flushed and rejected contamination.
YELLOW	Clean water tank	Clean water is collected in the clean water tank before it is supplied to the clean water faucet.
BLUE	Clean water faucet	Clean water from Cleone to the clean water faucet.

Intelligent membrane flush

The reverse osmosis membrane is flushed regularly with water in standby mode. The membrane is also flushed before and after the cleaning cycle. This makes sure that the cleaning process always starts with fresh feed water.

Water quality system

The cleaning process is continuously monitored to make sure that the water quality is high. If the water quality decreases, the system operation indicator flashes. If the problem continues, Cleone stops.

Leak protection system

A sensor at the bottom of Cleone senses water leaks. If there is a leak, the feed water supply is stopped. Cleone cannot be started again until the leak has been repaired.

Technical information



For more detailed technical information see www.bluewatergroup.com

Parameter/Model	Cleone Classic	Cleone Balance	Cleone Ultra	Cleone PurityPlus
Size WxDxH [mm (inch)]	215×380×416 (8.5×15×16.4)	215×380×416 (8.5×15×16.4)	215×380×416 (8.5×15×16.4)	215×380×416 (8.5×15×16.4)
Weight [kg (lbs)]	10.4 (22.9)	11 (24.2)	11.4 (25.1)	12 (26.5)
Power supply	95-240V 50-60Hz	95-240V 50-60Hz	95-240V 50-60Hz	95-240V 50-60Hz
Purified water flow rate [l/day (GPD)]	160 (43)	160 (43)	160 (43)	160 (43)

MAINTENANCE

Daily maintenance

To clean Cleone



Do not use chemicals to clean the surface. Alcohol, petrol, organic and inorganic acids, strong basic chemicals (such as concentrated dish washing detergent) will cause damage to the surface.



Do not use hard or sharp tools to clean Cleone.

Step	Action
1	Clean the outer surface with a soft moist cloth and a weak soap solution to remove dust, stains and dirt.
2	Dry with a soft dry cloth.

Regular maintenance



Regular maintenance is important for correct function and long term operation. Only educated and approved personnel can do the maintenance.



The water quality controls the maintenance frequency. If the feed water contains high levels of dissolved solids, do maintenance more frequently.



For instructions on how to do maintenance, see Complete User manual on www.bluewatergroup.com

Frequency	Description
6 months	Replace the coarse sediment prefilter (CL-20)
	Replace the fine sediment prefilter (CL-5)
	Replace the activated carbon prefilter (CL-C)
	Replace the integrated mineral filter
	Flush the activated carbon prefilter
	Do a feed water pressure and quality check
1 year	Replace the activated carbon postfilter (CL-Inline-C)
	Replace the UV lamp
	Flush the activated carbon postfilter
3-5 years	Replace the reverse osmosis membrane

TROUBLESHOOTING

How to solve simple problems



For symptoms not found in the table or more severe problems, see Complete User manual on www.bluewatergroup.com

Symptom	Cause	Solution
No water comes from the clean water faucet. The system operation indicator is off.	Cleone is not connected to power.	Connect Cleone to an electrical outlet and to the power adapter. Make sure that the 24V DC cable from the power adapter is connected to the electrical power socket on Cleone.
	Cleone is not started.	Move the power switch to position 1.
	An internal leak has been sensed. Cleone has been automatically stopped.	Contact your Bluewater dealer to repair the leak and reset the system.
No water comes from the clean water faucet. The system operation indicator is on.	Cleone has been installed for the first time and the system is not filled with water.	Wait for the system to be filled with water.
	The water tubes are not connected or the connection is made incorrectly.	Make sure that the connections are made correctly.
	Regular maintenance has not been done. Prefilters are clogged.	Contact your Bluewater dealer to do maintenance on Cleone.
No water comes from the clean water faucet. The system operation indicator flashes with high intensity (0.1 sec ON, 0.1 sec OFF).	The feed water pressure is too low and the pump protection system has stopped the feed water supply.	Cleone will start to operate as usual when the feed water pressure comes back. Flush Cleone as described in Complete User Manual.
No water comes from the clean water faucet. The system operation indicator flashes quickly (0.5 sec ON, 0.5 sec OFF).	Cleone has stopped, because the water quality is low.	Contact your Bluewater dealer for service.
The system operation indicator flashes quickly (0.5 sec ON, 0.5 sec OFF). Water comes from the clean water faucet.	The water quality has decreased.	It is safe to use the cleaned water. Contact your Bluewater dealer for more information.
The system operation indicator flashes slowly (2 sec ON, 2 sec OFF).	The filters must be replaced.	See "Regular maintenance" for information about when to change the filters. Replace the filters and reset the filter indicator as described in Complete User manual.
The flow rate from the clean water faucet is low.	The clean water tank is empty because of high water consumption.	Upgrade to a larger tank or to a high capacity membrane.
	The air pressure in the clean water tank is low.	Contact your Bluewater dealer to restore the correct air pressure in the clean water tank.
Too much continuous noise during water purification.	It is necessary to do maintenance on the booster pump.	Contact your Bluewater dealer.

Table des matières

SÉCURITÉ.....	12
Consignes de sécurité.....	12
Instructions de sécurité.....	12
PRÉSENTATION GÉNÉRALE DE L'ÉQUIPEMENT.....	13
Extérieur du dispositif Cleone.....	13
Intérieur du dispositif Cleone.....	14
PRÉSENTATION GÉNÉRALE DU SYSTÈME.....	15
Description.....	15
Installation.....	15
Utilisation prévue.....	16
Système de filtration de l'eau.....	16
Rinçage intelligent de la membrane.....	16
Système dédié à la qualité de l'eau.....	16
Système anti-fuites.....	16
Caractéristiques techniques.....	16
ENTRETIEN.....	17
Entretien quotidien.....	17
Entretien régulier.....	17
DÉPANNAGE.....	18
Résolution de problèmes simples.....	18

Service d'assistance technique

Pour tenter de résoudre un problème avant de contacter le service d'assistance, consulter la section "Dépannage". Si l'aide de techniciens externes est nécessaire, celle-ci peut être payante.

Lors de tout contact avec Bluewater, se munir des informations suivantes (celles-ci figurent sur la plaque signalétique située derrière le filtre) :

- le modèle
- la référence produit
- le numéro de série

Données environnementales



80 % des composants de cet osmoseur, de même que son emballage, sont dotés d'une étiquette précisant leur mode de recyclage ou de mise au rebut. L'efficacité du dispositif est optimale lorsqu'il fonctionne sur de longues durées. Par exemple, il est préférable de remplir d'eau une carafe plutôt qu'un verre.



Les appareils portant ce symbole doivent être déposés au point de réception local pour la mise au rebut des équipements électriques et électroniques usagés.

Ce produit ne doit pas être éliminé avec les déchets ménagers ordinaires.

SÉCURITÉ

Consignes de sécurité

Prenez-en connaissance avant d'installer et d'utiliser le dispositif. Ces consignes doivent être scrupuleusement suivies afin de prévenir des blessures physiques ou la détérioration de l'équipement. Ce manuel inclut des MISES EN GARDE et des REMARQUES destinés à garantir l'utilisation sécurisée du dispositif.



Un AVERTISSEMENT signale une situation susceptible d'entraîner une dégradation matérielle. Vous devez en tenir compte et cesser de vous servir de l'équipement tant que la situation n'est pas redevenue normale.



Enfin, une REMARQUE fait état d'informations importantes pour une utilisation optimale et en toute tranquillité du dispositif Cleone.

Instructions de sécurité



Ne pas débrancher ni manipuler les tuyaux d'eau externes. Si un débranchement s'impose, demandez l'aide de votre détaillant Bluewater. En cas d'urgence, suivez la procédure décrite dans le manuel d'utilisation complet.



Cet appareil peut être utilisé par les enfants de plus de 8 ans. Il peut également être manipulé par des personnes aux capacités physiques, sensorielles ou mentales réduites ou par des personnes manquant d'expérience ou de connaissances, dans la mesure où elles sont sous surveillance, ont reçu les instructions d'utilisation de l'appareil adéquates et comprennent les risques associés.



Ne pas tenter de réparer ni de remplacer les composants internes du dispositif Cleone. Il pourrait en résulter des dysfonctionnements ou un danger pour l'opérateur.



Utiliser exclusivement l'adaptateur secteur Bluewater d'origine en tant que source d'alimentation électrique de l'appareil. Le recours à un autre adaptateur secteur peut poser un problème de sécurité. Les pièces internes du dispositif Cleone pourraient en outre être endommagées. Ne pas utiliser le câble s'il présente des dommages visibles. Si le câble fourni est endommagé, le remplacer afin d'éviter tout danger.



Seuls les techniciens Bluewater autorisés sont habilités à entretenir et réparer l'appareil. Il est indispensable d'utiliser les cartouches et composants de rechange originaux de Bluewater.



Ne pas plonger le dispositif Cleone dans de l'eau. Nettoyer la surface à l'aide d'un chiffon humide à l'eau légèrement savonneuse. Ne pas appliquer de produits chimiques sur la surface du dispositif. L'alcool, l'essence, les acides organiques et non organiques ainsi que les produits chimiques de base forts (tels que le liquide vaisselle concentré) l'abîmeraient.



Ne pas placer ou laisser des objets sur le dispositif Cleone.



Ne pas l'utiliser avec de l'eau d'alimentation dangereuse d'un point de vue microbiologique ou dont la qualité microbiologique est indéterminée.

PRÉSENTATION GÉNÉRALE DE L'ÉQUIPEMENT

FR

Modèle	Cleone Classic	Cleone Balance	Cleone Ultra	Cleone PurityPlus
Lampe UV			✓	✓
Filtre à minéraux intégré		✓		✓

Extérieur du dispositif Cleone

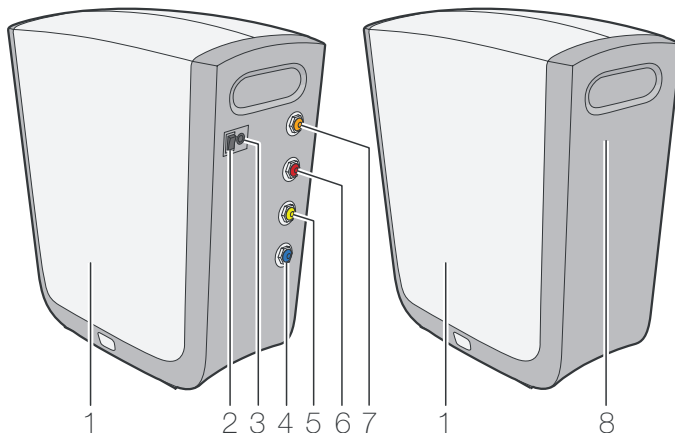


Figure 1. Extérieur du dispositif Cleone

N°	Description	N°	Description
1	Capot latéral	5	Connecteur pour réservoir d'eau propre - JAUNE
2	Interrupteur	6	Connecteur pour réservoir d'eau usée - ROUGE
3	Branchement électrique	7	Connecteur pour arrivée d'eau - ORANGE
4	Raccord de robinet d'eau propre - BLEU	8	Indicateur de fonctionnement

Interrupteur

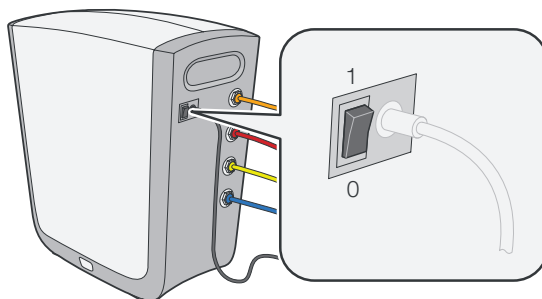


Figure 2. Interrupteur

Numéro	Description
1	Le dispositif Cleone est démarré. L'eau peut être épurée.
0	Le dispositif Cleone est arrêté. L'eau n'est pas épurée. Il est possible d'utiliser celle stockée dans le réservoir d'eau propre jusqu'au vidage complet de ce dernier.

Indicateur de fonctionnement

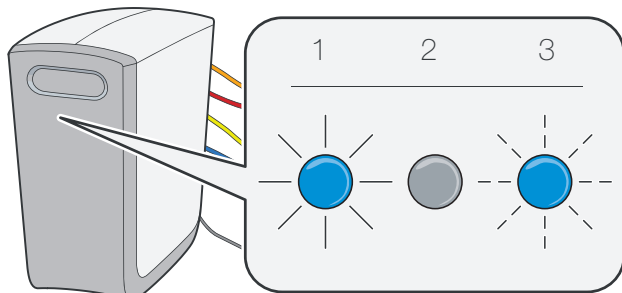


Figure 3. Indicateur de fonctionnement

N°	Description
1	Allumé : le dispositif Cleone fonctionne correctement.
2	Éteint : le dispositif Cleone n'est pas sous tension. Si l'interrupteur se trouve en position 1, reportez-vous à la section "Dépannage".
3	Clignotant : un problème a été détecté avec le dispositif Cleone. Se reporter au chapitre "Dépannage" ou contacter un détaillant Bluewater.

Intérieur du dispositif Cleone

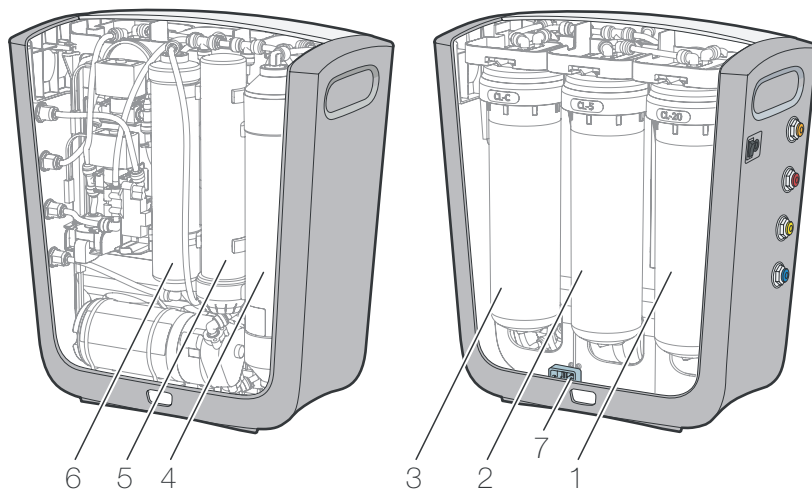


Figure 4. Intérieur du dispositif Cleone

N°	Description	N°	Description
1	Préfiltre de particules grossières (CL-20)	5	Post-filtre à charbon actif (CL-Inline-C) Lampe UV <small>(Classic, Balance, Ultra) (PurityPlus)</small>
2	Préfiltre de particules fines (CL-5)	6	Lampe UV Filtre à minéraux intégré L'emplacement est laissé vide pour Classic. <small>(Ultra) (Balance, PurityPlus)</small>
3	Préfiltre à charbon actif (CL-C)	7	Commutateur du système anti-fuites
4	Membrane d'osmose inverse		

PRÉSENTATION GÉNÉRALE DU SYSTÈME

Description

FR

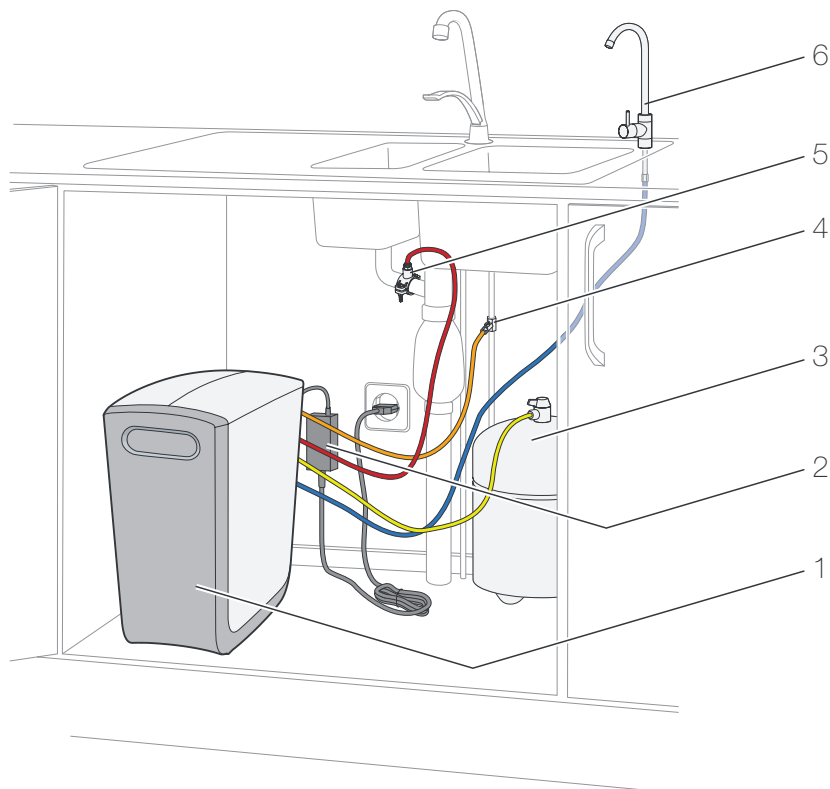


Figure 5. Présentation générale du système

N°	Description	N°	Description
1	Épurateur d'eau Cleone	4	Raccordement pour eau d'alimentation
2	Adaptateur secteur	5	Raccordement pour eau usée
3	Réservoir d'eau propre	6	Robinet d'eau propre

Installation



Pour une installation aux États-Unis, des instructions particulières sont exigées. Se reporter au manuel «Complete User manual».



Il est conseillé de laisser l'installation du dispositif Cleone aux mains d'un professionnel recommandé par un détaillant Bluewater agréé. Les instructions d'installation peuvent être consultées sur le site www.bluewatergroup.com.

Utilisation prévue

Le dispositif Cleone est un épurateur d'eau à usage domestique. Il ne doit pas servir à d'autres fins. Toute utilisation à l'extérieur du domicile ou à visée autre que la purification de l'eau d'un foyer est considérée comme impropre et rendra automatiquement caduque la garantie Cleone dont vous bénéficiez.

Système de filtration de l'eau

L'épuration de l'eau se fait en trois étapes avec le dispositif Cleone : préfiltration, filtration sur membrane et post-filtration. L'eau propre est recueillie dans le réservoir d'eau propre. Lorsque celui-ci est plein, le dispositif est mis en mode veille. Si le niveau à l'intérieur du réservoir d'eau propre est bas, le système d'approvisionnement en eau d'alimentation est ouvert et l'épuration de l'eau démarre.

Raccordements pour l'eau

Le dispositif Cleone est doté d'un panneau latéral pour les connecteurs, composé de quatre raccordements pour l'eau. Les anneaux de serrage et tuyaux se différencient par un code couleur.

Couleur	Raccordement	Description
ORANGE	Eau d'alimentation	Le raccordement pour eau d'alimentation permet de brancher une source d'eau d'alimentation sur le dispositif Cleone.
ROUGE	Eau usée	L'eau usée transportée du dispositif Cleone vers le tuyau d'évacuation contient des éléments contaminants drainés et rejetés.
JAUNE	Réservoir d'eau propre	L'eau propre est collectée dans ce réservoir avant d'être injectée dans le robinet d'eau propre.
BLEU	Robinet d'eau propre	Ce robinet redistribue l'eau propre provenant du dispositif Cleone.

Rinçage intelligent de la membrane

La membrane d'osmose inverse est rincée à l'eau régulièrement en mode veille. La membrane est également rincée avant et après le cycle de nettoyage. Ainsi, l'eau utilisée au début du processus de nettoyage est toujours de l'eau d'alimentation fraîche.

Système dédié à la qualité de l'eau

Le processus de nettoyage est soumis à un contrôle continu afin de s'assurer que la qualité de l'eau est élevée. Si la qualité de l'eau se dégrade, le voyant de fonctionnement du système se met à clignoter. Si le problème persiste, Cleone s'interrompt.

Système anti-fuites

Un capteur situé à la base du dispositif Cleone détecte les fuites d'eau. Si une fuite est constatée, le système d'approvisionnement en eau d'alimentation est arrêté. Vous ne pouvez ensuite redémarrer le dispositif qu'une fois la fuite résorbée.

Caractéristiques techniques



Pour obtenir des données techniques plus détaillées, consultez le site www.bluewatergroup.com.

Paramètre/Modèle	Cleone Classic	Cleone Balance	Cleone Ultra	Cleone PurityPlus
Dimensions en [mm (inch)] l x p x h	215 x 380 x 416 (8,5 x 15 x 16,4)	215 x 380 x 416 (8,5 x 15 x 16,4)	215 x 380 x 416 (8,5 x 15 x 16,4)	215 x 380 x 416 (8,5 x 15 x 16,4)
Poids en [kg (lbs)]	10,4 (22,9)	11 (24,2)	11,4 (25,1)	12 (26,5)
Alimentation électrique	95-240V 50-60Hz	95-240V 50-60Hz	95-240V 50-60Hz	95-240V 50-60Hz
Débit d'eau purifiée [litres/jour (gallons/jour)]	160 (43)	160 (43)	160 (43)	160 (43)

ENTRETIEN

Entretien quotidien

Pour nettoyer le dispositif Cleone



Ne pas appliquer de produits chimiques sur la surface. L'alcool, l'essence, les acides organiques et non organiques ainsi que les produits chimiques de base forts (tels que le liquide vaisselle concentré) l'abîmeraient.



Ne pas nettoyer le dispositif Cleone au moyen d'instruments durs ou aiguisés.

Étape	Opération
1	Nettoyer la surface extérieure à l'eau légèrement savonneuse avec un chiffon humide doux afin d'éliminer la poussière, les taches et la saleté.
2	Essuyer à l'aide d'un linge doux et sec.

Entretien régulier



L'entretien périodique est essentiel pour le fonctionnement correct et durable du dispositif. Il est réservé aux professionnels formés à ces opérations et autorisés.



La fréquence des opérations d'entretien dépend de la qualité de l'eau. Si l'eau d'alimentation contient des quantités importantes de matières dissoutes, un contrôle plus régulier est alors recommandé.



Pour savoir comment réaliser l'entretien, reportez-vous au manuel «Complete User manual» disponible sur www.bluewatergroup.com.

Fréquence	Description
6 mois	Remplacement du préfiltre de particules grossières (CL-20)
	Remplacement du préfiltre de particules fines (CL-5)
	Remplacement du préfiltre à charbon actif (CL-C)
	Remplacement du filtre à minéraux intégré
	Rinçage du préfiltre à charbon actif
	Vérification de la pression et de la qualité de l'eau d'alimentation
1 an	Remplacement du post-filtre à charbon actif (CL-Inline-C)
	Remplacement de la lampe UV
	Rinçage du post-filtre à charbon actif
3-5 ans	Remplacement du membrane d'osmose inverse

DÉPANNAGE

Résolution de problèmes simples



Pour les problèmes plus complexes, consultez le manuel «Complete User manual» figurant sur le site www.bluewatergroup.com.

Symptôme	Cause	Solution
L'eau ne coule pas du robinet d'eau propre. L'indicateur de fonctionnement est éteint.	Le dispositif Cleone n'est pas branché sur le secteur.	Raccordez-le à une prise électrique et à l'adaptateur secteur. Assurez-vous que le câble de 24 V cc de l'adaptateur est relié à la prise électrique du dispositif.
	Le dispositif Cleone n'est pas sous tension.	Placez l'interrupteur en position 1.
	Une fuite interne a été détectée. Le dispositif Cleone a été automatiquement arrêté.	Contactez votre détaillant Bluewater pour qu'il résorbe la fuite et réinitialise l'équipement.
L'eau ne coule pas du robinet d'eau propre. L'indicateur de fonctionnement est allumé.	Il s'agit de l'installation initiale du dispositif Cleone et le système ne s'est pas encore rempli d'eau.	Patiencez jusqu'à ce que le système soit plein.
	Les tuyaux d'eau ne sont pas connectés ou les raccordements ont été mal effectués.	Vérifiez que les raccordements sont corrects.
	L'entretien régulier n'a pas été assuré. Les préfiltres sont bouchés.	Demandez à votre détaillant Bluewater qu'il exécute les opérations d'entretien.
L'eau ne coule pas du robinet d'eau propre. Le voyant du fonctionnement du système clignote avec une forte intensité (0,1 sec ALLUMÉ, 0,1 sec ÉTEINT).	La pression de l'eau d'alimentation est trop faible et le mécanisme de protection de la pompe a interrompu l'alimentation en eau.	Le fonctionnement normal du dispositif Cleone sera rétabli dès que la pression de l'eau d'alimentation remontera.
L'eau ne coule pas du robinet d'eau propre. Le voyant du fonctionnement du système clignote rapidement (0,5 sec ALLUMÉ, 0,5 sec ÉTEINT).	Cleone s'est arrêté parce la qualité de l'eau est médiocre.	Contactez un détaillant Bluewater pour la maintenance.
Le voyant du fonctionnement du système clignote rapidement (0,5 sec ALLUMÉ, 0,5 sec ÉTEINT). L'eau coule du robinet d'eau propre.	La qualité de l'eau s'est dégradée.	Il est recommandé d'utiliser l'eau épurée. Contacter un détaillant Bluewater pour plus d'informations.
Le voyant du fonctionnement du système clignote lentement (2 sec ALLUMÉ, 2 sec ÉTEINT).	Les filtres doivent être remplacés.	Se reporter au chapitre "Entretien régulier" pour savoir à quel moment changer les filtres. Remplacez les filtres et réinitialiser le voyant du filtre comme indiqué dans le manuel «Complete User manual».
Le débit du robinet d'eau propre est faible.	Le réservoir d'eau propre est vide en raison d'une consommation d'eau élevée.	Installez un plus gros réservoir ou une membrane de grande capacité.
	La pression de l'air dans le réservoir d'eau propre est basse.	Adressez-vous à votre détaillant Bluewater pour qu'il rétablisse la pression appropriée dans le réservoir.
Le bruit est énorme et incessant durant le processus de purification de l'eau.	La pompe de gavage doit être révisée.	Prenez contact avec votre détaillant Bluewater.

Índice

SEGURIDAD	20
Instrucciones de seguridad.....	20
Información de seguridad	20
VISTA GENERAL DEL PRODUCTO	21
Exterior del Cleone	21
Interior del Cleone	22
VISTA GENERAL DEL SISTEMA	23
Descripción del sistema.....	23
Instalación.....	23
Uso indicado.....	24
Sistema de filtrado de agua	24
Limpieza de membrana inteligente	24
Sistema de calidad de agua	24
Sistema de protección antifugas	24
Información técnica	24
MANTENIMIENTO.....	25
Mantenimiento diario	25
Mantenimiento regular	25
RESOLUCIÓN DE PROBLEMAS.....	26
Cómo resolver problemas sencillos.....	26

ES

Atención al cliente

Si tiene alguna incidencia menor, consulte "Resolución de problemas" antes de llamar al servicio de atención al cliente, ya que se puede aplicar una tarifa por la asistencia externa.

Tenga a mano los siguientes datos (que encontrará en la placa de datos situada tras el filtro) cuando llame a Bluewater:

- Modelo
- Referencia del producto
- Número de serie

Información medioambiental



El 80 % de los componentes del purificador de agua y su embalaje disponen de una etiqueta que indica el modo correcto de reciclarlos. El purificador de agua trabaja de forma más eficaz después de tratar agua durante un tiempo. Es decir, siempre será mejor llenar una jarra de agua que solo un vaso.



Los electrodomésticos que muestran este símbolo deben depositarse en el punto de recogida local designado para la retirada de material eléctrico y electrónico.
Este producto no se debe tirar junto con los desechos comunes de casa.

SEGURIDAD

Instrucciones de seguridad

Antes de instalar o manejar el dispositivo, es obligatorio leer la información de seguridad. Respete las instrucciones del manual para evitar lesiones personales o daños en el equipo. Este manual contiene PRECAUCIONES y AVISOS aplicables para un manejo seguro del dispositivo.



Las PRECAUCIONES identifican situaciones que pueden causar daños en el equipo. Respete las instrucciones y no prosiga hasta que haya comprobado y evitado todas estas situaciones.



Los Avisos identifican información importante para un uso óptimo y sin errores del Cleone.

Información de seguridad



No desconecte los tubos de agua externos ni realice ningún tipo de trabajo en ellos. Si debe desconectar los tubos de agua, póngase en contacto con su distribuidor de Bluewater para obtener asistencia. En caso de emergencia, siga las instrucciones incluidas en el Manual completo del usuario.



Este dispositivo lo pueden utilizar niños con más de 8 años de edad. También lo pueden utilizar personas con discapacidades físicas, sensoriales o mentales, o con falta de experiencia o de conocimientos, siempre que se les supervise o se les faciliten instrucciones acerca del uso seguro del dispositivo y entiendan los riesgos asociados.



No repare ni cambie los componentes internos del Cleone. Cualquier acción de este tipo puede provocar un funcionamiento incorrecto del dispositivo o que su empleo resulte peligroso.



Utilice como fuente de alimentación eléctrica del Cleone únicamente el adaptador de corriente Bluewater original. La conexión a un adaptador de corriente diferente puede provocar que el uso del Cleone resulte peligroso. También puede dañar los componentes internos del dispositivo. Si el cable presenta daños visibles, no lo utilice. Si el cable de alimentación está dañado, cámbielo para evitar situaciones de peligro.



Únicamente el personal autorizado de Bluewater puede efectuar tareas de conservación, mantenimiento y reparación en el Cleone. Solo se pueden utilizar componentes y cartuchos de recambio originales de Bluewater.



No sumerja el Cleone en agua. Limpie la superficie con un paño húmedo y una solución jabonosa débil. No utilice productos químicos para limpiar la superficie del Cleone. El alcohol, la gasolina, los ácidos orgánicos e inorgánicos, o los productos químicos básicos fuertes (como los detergentes lavavajillas concentrados) pueden dañar la superficie del Cleone.



No coloque ni guarde objetos encima del Cleone.



No utilice el Cleone con agua de alimentación microbiológicamente peligrosa o cuando se desconozca la calidad microbiológica de esta.

VISTA GENERAL DEL PRODUCTO

Modelo	Cleone Classic	Cleone Balance	Cleone Ultra	Cleone PurityPlus
Lámpara UV			✓	✓
Filtro mineral integrado		✓		✓

Exterior del Cleone

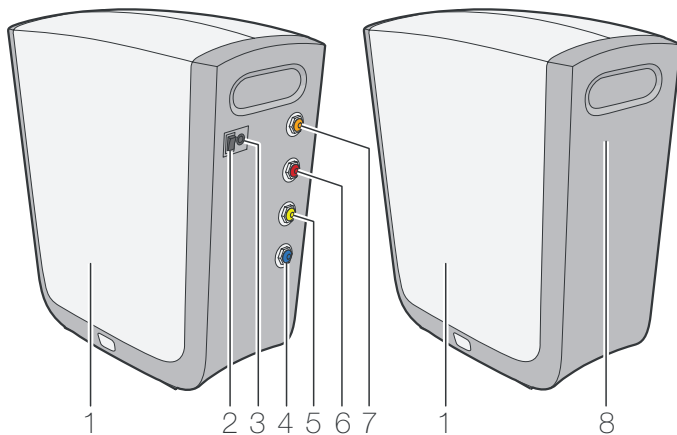


Figure 1. Exterior del Cleone

N.º	Descripción	N.º	Descripción
1	Cubierta lateral	5	Conector del depósito de agua purificada (AMARILLO)
2	Interruptor de alimentación	6	Conector del agua de desagüe (ROJO)
3	Conexión eléctrica	7	Conector del agua de alimentación (NARANJA)
4	Conector del grifo de agua purificada (AZUL)	8	Indicador de funcionamiento del sistema

Interruptor de alimentación

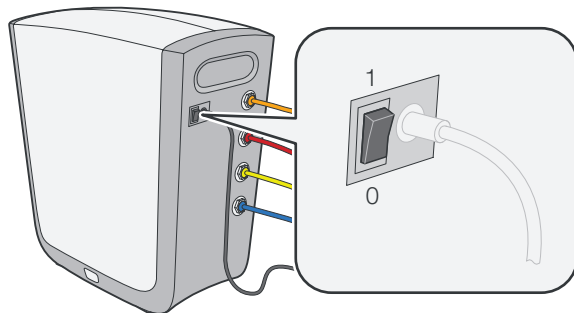


Figure 2. Interruptor de alimentación

Posición	Descripción
1	El Cleone está encendido y puede purificar el agua.
0	El Cleone está apagado y no purifica el agua. Es posible utilizar el agua del depósito de agua purificada hasta que este se vacíe.

Indicador de funcionamiento del sistema

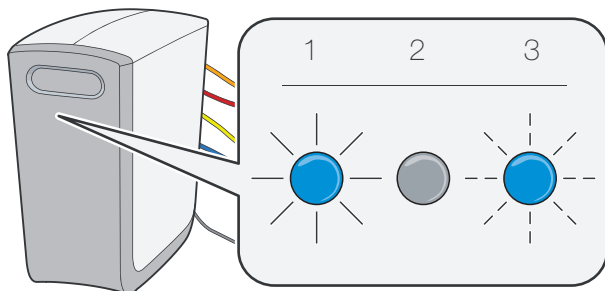


Figure 3. Indicador de funcionamiento del sistema

N.º	Descripción
1	Encendido: el Cleone funciona correctamente.
2	Apagado: el Cleone está apagado. Si el interruptor de alimentación se encuentra en la posición «1», consulte el apartado "Resolución de problemas".
3	Intermitente: el Cleone presenta un error. Consulte "Resolución de problemas" o póngase en contacto con un distribuidor de Bluewater.

Interior del Cleone

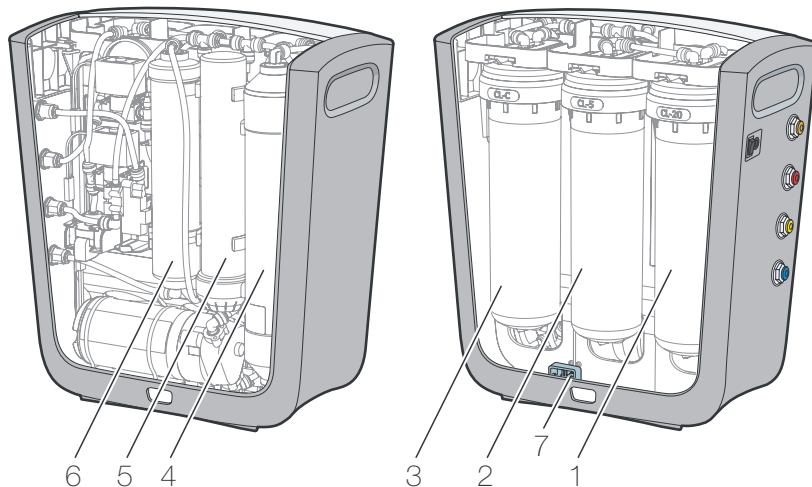


Figure 4. Interior del Cleone

N.º	Descripción	N.º	Descripción
1	Filtro previo de sedimentos gruesos (CL-20)	5	Filtro posterior de carbón activo (CL-Inline-C) Lámpara UV (Classic, Balance, Ultra) (PurityPlus)
2	Filtro previo de sedimentos finos (CL-5)	6	Lámpara UV (Ultra) Filtro mineral integrado (Balance, PurityPlus) La posición se ha dejado vacía para Classic.
3	Filtro previo de carbón activo (CL-C)	7	Interruptor del sistema de protección antifugas
4	Membrana de ósmosis inversa		

VISTA GENERAL DEL SISTEMA

Descripción del sistema

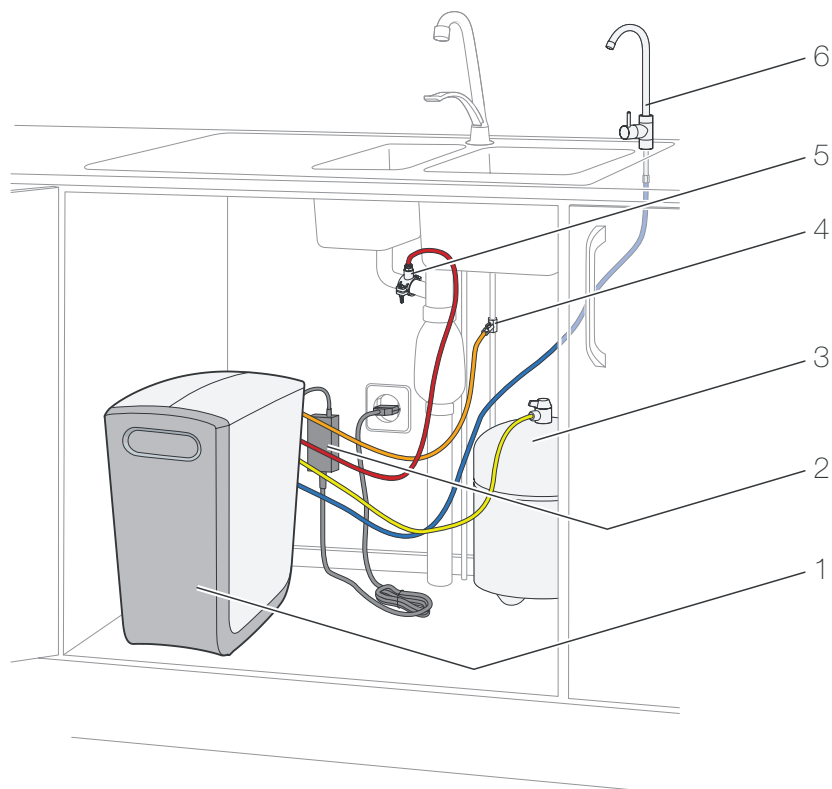


Figure 5. Vista general del sistema

N.º	Descripción	N.º	Descripción
1	Purificador de agua Cleone	4	Conexión del agua de alimentación
2	Adaptador de corriente	5	Conexión del agua de desagüe
3	Depósito de agua purificada	6	Grifo de agua purificada

Instalación



Para la instalación en EE. UU. son necesarias instrucciones especiales. Consulte el Complete User manual.



Se recomienda confiar la instalación del Cleone a un profesional recomendado por un distribuidor autorizado de Bluewater. Las instrucciones de instalación están disponibles en www.bluewatergroup.com.

Uso indicado

El Cleone es un purificador de agua de uso doméstico. No lo utilice para ningún otro fin. Todo uso en un lugar diferente de un entorno doméstico cerrado y para cualquier otro fin que no sea purificar el agua de uso doméstico se considera un uso no indicado que anula automáticamente la garantía del Cleone.

Sistema de filtrado de agua

El Cleone purifica el agua en tres pasos: filtrado previo, filtrado por membrana y filtrado posterior. El agua purificada del Cleone se acumula en el depósito de agua purificada. Cuando dicho depósito se llena, el Cleone adopta el modo de espera. Por el contrario, cuando el nivel del depósito de agua purificada es bajo, el Cleone abre el suministro de agua de alimentación y activa el proceso de purificación.

Conexiones de agua

Existen cuatro conectores de agua en el panel de conexiones del Cleone. Los anillos de conexión y los tubos se identifican mediante un código de colores.

Color	Conexión	Descripción
NARANJA	Agua de alimentación	La conexión del agua de alimentación permite la entrada de agua en el Cleone.
ROJO	Agua de desagüe	El agua de desagüe que se vacía desde el Cleone hacia el sumidero contiene la contaminación enjuagada y purgada.
AMARILLO	Depósito de agua purificada	El agua purificada se acumula en este depósito antes de su suministro al grifo de agua purificada.
AZUL	Grifo de agua purificada	Transporte del agua purificada desde el Cleone hasta el grifo.

Limpieza de membrana inteligente

La membrana de ósmosis inversa se enjuaga periódicamente con agua en modo de espera. La membrana también se enjuaga antes y después del ciclo de purificación para garantizar que este siempre arranque con agua de alimentación limpia.

Sistema de calidad de agua

El proceso de purificación se supervisa constantemente para garantizar que la calidad del agua sea alta. Si la calidad del agua disminuye, el indicador de funcionamiento del sistema parpadea. Si el problema persiste, Cleone se detiene.

Sistema de protección antifugas

El sensor instalado en la parte inferior del Cleone detecta posibles fugas de agua. En caso de fuga, el suministro de agua de alimentación se interrumpe. El Cleone no podrá volver a arrancar hasta que dicha fuga se haya subsanado.

Información técnica



Visite www.bluewatergroup.com para obtener información técnica más detallada.

Parámetro/Modelo	Cleone Classic	Cleone Balance	Cleone Ultra	Cleone PurityPlus
Dimensiones An.xPr.xAl. [mm (inch)]	215x380x416 (8,5x15x16,4)	215x380x416 (8,5x15x16,4)	215x380x416 (8,5x15x16,4)	215x380x416 (8,5x15x16,4)
Peso [kg (lbs)]	10,4 (22,9)	11 (24,2)	11,4 (25,1)	12 (26,5)
Alimentación	95–240V 50–60Hz	95–240V 50–60 Hz	95–240V 50–60 Hz	95–240V 50–60 Hz
Caudal de agua purificada [l/día (GPD)]	160 (43)	160 (43)	160 (43)	160 (43)

MANTENIMIENTO

Mantenimiento diario

Limpieza del Cleone



No utilice productos químicos para limpiar la superficie. El alcohol, la gasolina, los ácidos orgánicos e inorgánicos, o los productos químicos básicos fuertes (como los detergentes lavavajillas concentrados) pueden dañar la superficie.



No utilice herramientas duras ni afiladas para limpiar el Cleone.

ES

Paso	Acción
1	Limpie la superficie externa con un paño húmedo suave y una solución jabonosa débil para eliminar el polvo, las manchas y la suciedad.
2	Seque la superficie con un paño seco suave.

Mantenimiento regular



El mantenimiento regular es importante para lograr un funcionamiento correcto y duradero. Las tareas de mantenimiento únicamente se deberán encomendar a personal debidamente formado y autorizado.



La frecuencia de mantenimiento depende de la calidad del agua. Si el agua de alimentación contiene niveles elevados de sólidos disueltos, realice un mantenimiento más frecuente.



Para obtener más información acerca de cómo efectuar el mantenimiento, consulte el Complete User manual disponible en www.bluewatergroup.com.

Frecuencia	Descripción
6 meses	Sustitución del filtro previo de sedimentos gruesos (CL-20).
	Sustitución del filtro previo de sedimentos finos (CL-5).
	Sustitución del filtro previo de carbón activo (CL-C).
	Sustitución del filtro mineral integrado.
	Limpieza del filtro previo de carbón activo.
	Comprobación de la calidad y la presión del agua de alimentación.
1 año	Sustitución del filtro posterior de carbón activo (CL-Inline-C).
	Sustitución de la lámpara UV.
	Limpieza del filtro posterior de carbón activo.
3-5 años	Sustitución de la membrana de ósmosis inversa.

RESOLUCIÓN DE PROBLEMAS

Cómo resolver problemas sencillos



Para la resolución de problemas más graves, consulte el Complete User manual disponible en www.bluewatergroup.com.

Problema	Causa	Solución
Por el grifo de agua purificada no sale agua. El indicador de funcionamiento del sistema está apagado.	El Cleone no está conectado a la alimentación.	Conecte el Cleone al adaptador de corriente y a una toma eléctrica. Asegúrese de que el cable de 24 V CC del adaptador de corriente está bien conectado al enchufe eléctrico del Cleone.
	El Cleone está apagado.	Coloque el interruptor de alimentación en la posición 1.
	Se ha detectado una fuga interna. El Cleone se ha detenido automáticamente.	Póngase en contacto con un distribuidor de Bluewater para subsanar la fuga y restablecer el sistema.
Por el grifo de agua purificada no sale agua. El indicador de funcionamiento del sistema está encendido.	El Cleone se ha instalado por primera vez y el sistema no se ha llenado de agua.	Espere a que el sistema se llene de agua.
	Los tubos de agua no están conectados o su conexión es incorrecta.	Asegúrese de que las conexiones se hayan efectuado correctamente.
	No se ha efectuado el mantenimiento regular. Los filtros previos están obstruidos.	Póngase en contacto con un distribuidor de Bluewater para realizar el mantenimiento del Cleone.
Por el grifo de agua purificada no sale agua. El indicador de funcionamiento del sistema parpadea con intensidad alta (0,1 s ENCENDIDO, 0,1 s APAGADO).	La presión del agua de alimentación es demasiado baja y el sistema de protección de la bomba ha cortado el suministro de agua de alimentación.	El Cleone reanudará su funcionamiento normal cuando la presión del agua de alimentación se restablezca.
Por el grifo de agua purificada no sale agua. El indicador de funcionamiento del sistema parpadea rápidamente (0,5 s ENCENDIDO, 0,5 s APAGADO).	Cleone se ha detenido porque la calidad del agua es baja.	Póngase en contacto con un distribuidor de Bluewater para obtener asistencia técnica.
El indicador de funcionamiento del sistema parpadea rápidamente (0,5 s ENCENDIDO, 0,5 s APAGADO). El agua sale por el grifo de agua purificada.	La calidad del agua ha disminuido.	Es seguro utilizar el agua purificada. Póngase en contacto con un distribuidor de Bluewater para obtener más información.
El indicador de funcionamiento del sistema parpadea lentamente (2 s ENCENDIDO, 2 s APAGADO).	Los filtros se deben cambiar.	Consulte "Mantenimiento regular" para obtener información sobre cuándo cambiar los filtros. Cambie los filtros y reinicie el indicador de filtro como se describe en el Complete User manual.
El caudal del grifo de agua purificada es bajo.	El depósito de agua purificada está vacío debido a un gran consumo de agua.	Instale un depósito más grande o una membrana de mayor capacidad.
	La presión de aire en el depósito de agua purificada es baja.	Póngase en contacto con un distribuidor de Bluewater para restablecer la presión de aire apropiada en el depósito de agua purificada.
Emisión de mucho ruido continuo durante la purificación del agua.	Es necesario efectuar el mantenimiento de la bomba reforzadora.	Póngase en contacto con un distribuidor de Bluewater.

Índice

SEGURANÇA.....	28
Instruções de segurança	28
Informações de segurança	28
VISÃO GERAL DO PRODUTO.....	29
Exterior do Cleone.....	29
Interior do Cleone.....	30
VISÃO GERAL DO SISTEMA.....	31
Descrição do sistema.....	31
Instalação	31
Utilização pretendida	32
Sistema de filtragem de água.....	32
Lavagem por membrana inteligente.....	32
Sistema de qualidade de água.....	32
Sistema de protecção contra fugas.....	32
Informações técnicas	32
MANUTENÇÃO	33
Manutenção diária.....	33
Manutenção regular	33
RESOLUÇÃO DE PROBLEMAS.....	34
Resolução de problemas simples	34

PT

Assistência ao cliente

Consulte a secção "Resolução de problemas" para resolver pequenos problemas antes de solicitar assistência. Caso necessite de assistência externa, esta pode ter um custo.

Certifique-se de que tem os seguintes dados (contidos na placa de dados localizada atrás do filtro) à mão quando contactar a Bluewater:

- Modelo
- Número do produto
- Número de série

Informações ambientais



Oitenta por cento dos componentes dos purificadores de água e das suas embalagens contêm uma etiqueta para o ajudar a reciclá-los e eliminá-los corretamente. O purificador de água é mais eficiente quando limpa água durante longos períodos. Exemplo: não encha um copo com água. Encha antes um jarro.



Os dispositivos que contenham este símbolo devem ser depositados no ponto de receção local designado para a eliminação de equipamentos elétricos e eletrónicos. Este produto não pode ser eliminado através dos processos normais de recolha de resíduos domésticos.

SEGURANÇA

Instruções de segurança

Antes de instalar ou utilizar o dispositivo, deve ler as informações de segurança. Cumpra as instruções neste manual para evitar lesões ou danos no equipamento. Este manual contém indicações de ATENÇÃO e NOTAS aplicáveis para o funcionamento do dispositivo em segurança.



Uma indicação de ATENÇÃO identifica condições que podem causar danos ao equipamento. Cumpra as instruções e não continue até que todas as condições estejam reunidas e sejam aceitáveis.



Uma indicação de NOTA identifica informações importantes para uma utilização ideal e sem problemas do Cleone.

Informações de segurança



Não desligue os tubos de água externos e não trabalhe sobre os mesmos. Consulte o seu concessionário Bluewater para obter ajuda no caso de ter de desligar os tubos de água. Numa situação de emergência, siga as instruções no manual completo do utilizador.



Este dispositivo pode ser utilizado por crianças com idade superior a 8 anos. Também pode ser utilizado por pessoas com capacidades físicas, sensoriais ou mentais reduzidas ou com falta de experiência e conhecimento, desde que tenham supervisão ou recebido instruções relativamente à utilização do dispositivo de forma segura e compreendam os riscos envolvidos.



Não repare nem altere os componentes internos do Cleone. Tal pode fazer com que o Cleone funcione incorrectamente ou com que passe a ser perigoso utilizá-lo.



Utilize apenas o transformador Bluewater original como fonte de alimentação eléctrica para o Cleone. A utilização de um transformador diferente pode tornar a utilização do Cleone perigosa. Pode também danificar peças internas do Cleone. Não utilize o cabo se este apresentar sinais visíveis de danos. Caso o cabo se encontre danificado, substitua-o para prevenir perigos.



Quaisquer operações de serviço, manutenção e reparação no Cleone podem ser realizadas apenas por pessoal aprovado pela Bluewater. Utilize apenas peças e cartuchos de substituição originais da Bluewater.



Não coloque o Cleone em água. Limpe a superfície com um pano húmido e uma solução com pouco sabão. Não utilize produtos químicos para limpar a superfície do Cleone. A utilização de álcool, petróleo, ácidos orgânicos e inorgânicos, produtos químicos básicos fortes (tais como detergente concentrado para máquina de lavar louça) provocará danos na superfície do Cleone.



Não coloque nem mantenha objectos em cima do Cleone.



Não utilize o Cleone com alimentação de água que seja microbiologicamente perigosa, ou nos casos em que a qualidade microbiológica não seja conhecida.

VISÃO GERAL DO PRODUTO

Modelo	Cleone Classic	Cleone Balance	Cleone Ultra	Cleone PurityPlus
Lâmpada de UV			✓	✓
Filtro mineral integrado		✓		✓

Exterior do Cleone

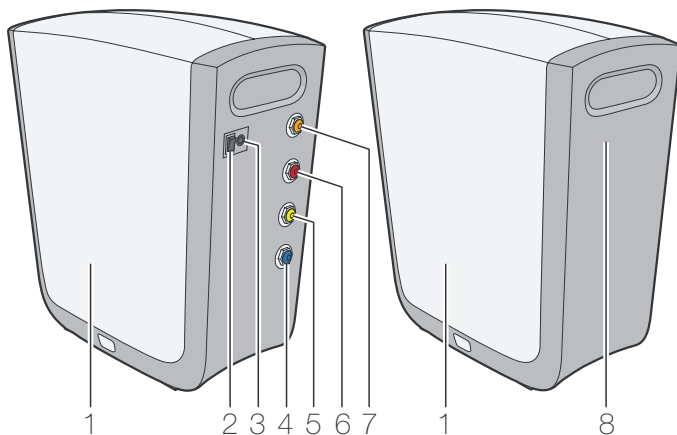


Figure 1. Exterior do Cleone

Item	Descri�o	Item	Descri�o
1	Cobertura lateral	5	Conector do dep�sito de �gua limpa - AMARELO
2	Interruptor de alimenta�o	6	Conector de drenagem de �gua - VERMELHO
3	Liga�o el�ctrica	7	Conector de �gua de entrada - COR-DE-LARANJA
4	Conector de torneira de �gua limpa - AZUL	8	Indicador de funcionamento do sistema

Interruptor de alimenta o

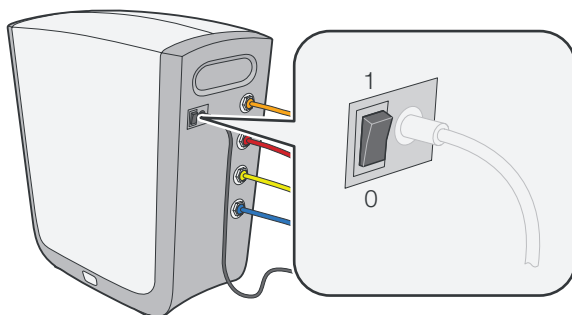


Figure 2. Interruptor de alimenta o

Posi�o	Descri�o
1	O Cleone est� ligado. A �gua pode ser limpa.
0	O Cleone est� parado. N�o � limpa �gua. A �gua do dep�sito de �gua limpa pode ser utilizada at� o dep�sito estar vazio.

Indicador de funcionamento do sistema

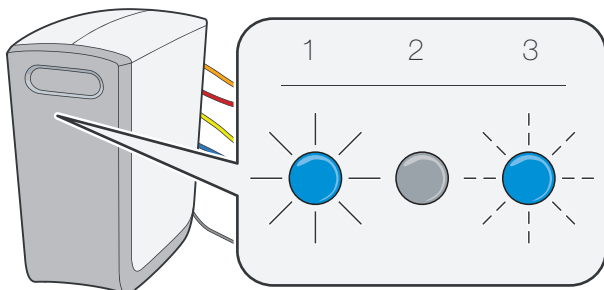


Figure 3. Indicador de funcionamento do sistema

Item	Descrição
1	Ligado – O Cleone funciona correctamente.
2	Desligado – O Cleone está desligado. Se o interruptor de alimentação estiver na posição "1", consulte "Resolução de problemas".
3	Intermitente – Existe um problema com o Cleone. Consulte a secção "Resolução de problemas" ou contacte o seu concessionário Bluewater.

Interior do Cleone

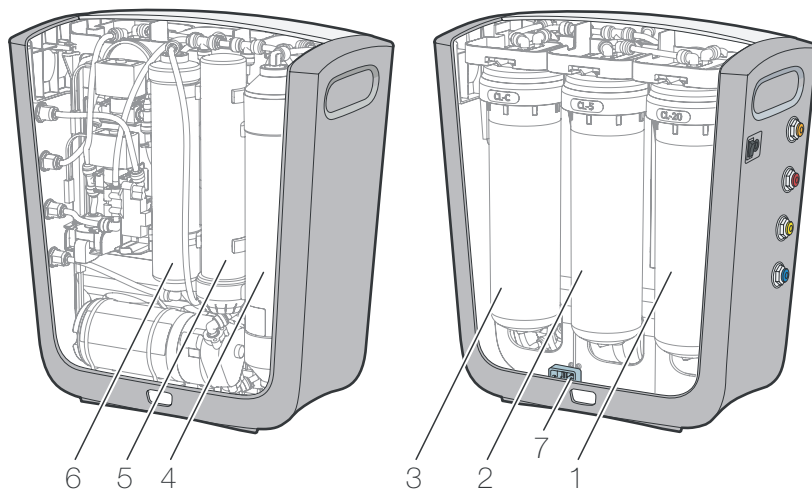
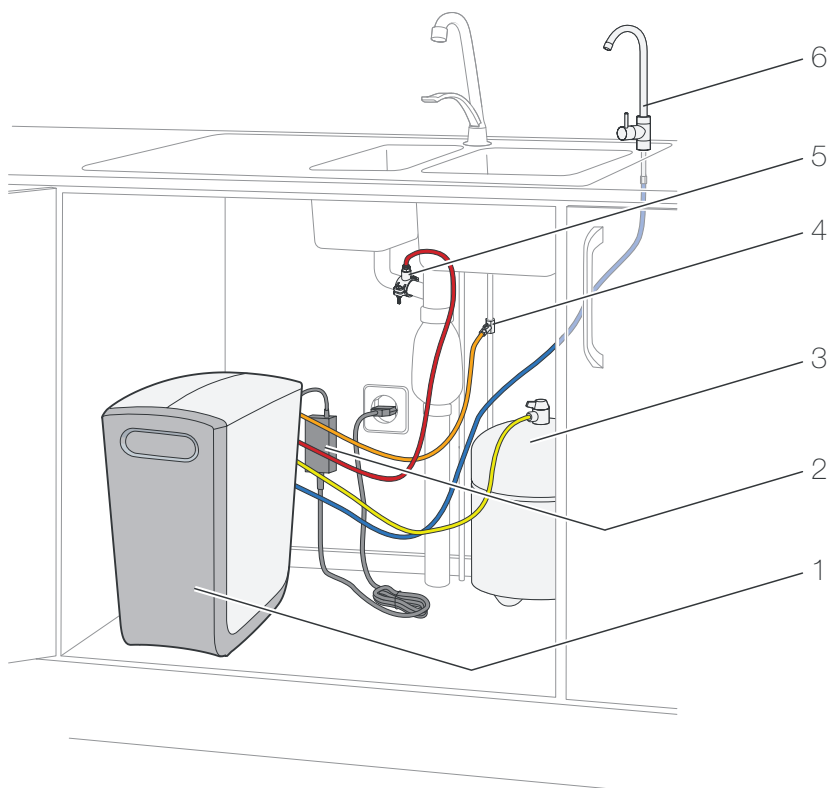


Figure 4. Interior do Cleone

Item	Descrição	Item	Descrição
1	Pré-filtro de sedimentos grandes (CL-20)	5	Pós-filtro de carbono activado (CL-Inline-C) Lâmpada de UV <small>(Classic, Balance, Ultra) (PurityPlus)</small>
2	Pré-filtro de sedimentos pequenos (CL-5)	6	Lâmpada de UV Filtro mineral integrado A posição é deixada vazia para o Classic. <small>(Ultra) (Balance, PurityPlus)</small>
3	Pré-filtro de carbono activado (CL-C)	7	Interruptor do sistema de protecção contra fugas
4	Membrana de osmose inversa		

VISÃO GERAL DO SISTEMA

Descrição do sistema



PT

Figure 5. Visão geral do sistema

Item	Descrição	Item	Descrição
1	Purificador de água Cleone	4	Ligação de alimentação de água
2	Transformador	5	Ligação de drenagem de água
3	Depósito de água limpa	6	Torneira de água limpa

Instalação



Para instalação nos EUA são necessárias instruções especiais. Consulte o Complete User manual.



Recomendamos que o Cleone seja instalado por um profissional recomendado por um concessionário Bluewater autorizado. As instruções de instalação encontram-se em www.bluewatergroup.com.

Utilização pretendida

O Cleone é um purificador de água para utilização doméstica. Não se deve utilizar para qualquer outro fim. Qualquer utilização para além do ambiente doméstico interior e para outros fins que não sejam a purificação de água para utilização doméstica é considerada como utilização não pretendida e invalidará automaticamente a garantia do Cleone.

Sistema de filtragem de água

O Cleone limpa água em três passos: pré-filtragem, filtragem por membrana e pós-filtragem. A água limpa do Cleone é recolhida no depósito de água limpa. Quando o depósito está cheio, o Cleone entra no modo de suspensão. Quando o nível do depósito de água limpa está baixo, o Cleone abre o fornecimento de alimentação de água e começa a limpar água.

Ligações de água

Há quatro ligações de água no lado de ligações do Cleone. A tubagem e o encaixe têm um código de cores.

Cor	Ligação	Descrição
COR-DE-LARANJA	Alimentação de água	A ligação da alimentação de água fornece alimentação de água ao Cleone.
VERMELHO	Drenagem de água	A drenagem de água do Cleone para o tubo de drenagem contém contaminação rejeitada e proveniente da lavagem.
AMARELO	Depósito de água limpa	A água limpa é recolhida no depósito de água limpa antes de ser fornecida à torneira de água limpa.
AZUL	Torneira de água limpa	Água limpa do Cleone para a torneira de água limpa.

Lavagem por membrana inteligente

A membrana de osmose inversa é lavada regularmente com água no modo de suspensão. A membrana também é lavada antes e depois do ciclo de limpeza. Tal garante que o processo de limpeza é sempre iniciado com alimentação de água fresca.

Sistema de qualidade de água

O processo de limpeza é continuamente monitorizado para garantir que a qualidade da água é elevada. Se a qualidade da água diminuir, o indicador luminoso de funcionamento do sistema fica intermitente. Se o problema persistir, o Cleone para.

Sistema de protecção contra fugas

Um sensor no fundo do Cleone detecta fugas de água. Caso haja alguma fuga, o fornecimento de alimentação de água é interrompido. O Cleone não pode ser ligado novamente até que a fuga seja reparada.

Informações técnicas



Para informações técnicas mais detalhadas, consulte www.bluewatergroup.com

Parâmetro/Modelo	Cleone Classic	Cleone Balance	Cleone Ultra	Cleone PurityPlus
Dimensões LxPxA [mm]	215x380x416	215x380x416	215x380x416	215x380x416
Peso [kg]	10,4	11	11,4	12
Fonte de alimentação	95-240V a 50-60Hz	95-240V a 50-60Hz	95-240V a 50-60Hz	95-240V a 50-60Hz
Débito de água purificada [l/dia (galões/dia)]	160 (43)	160 (43)	160 (43)	160 (43)

MANUTENÇÃO

Manutenção diária

Limpeza do Cleone



Não utilize produtos químicos para limpar a superfície. A utilização de álcool, petróleo, ácidos orgânicos e inorgânicos, produtos químicos básicos fortes (tais como detergente concentrado para máquina de lavar louça) provocará danos na superfície.



Não utilize ferramentas rígidas ou afiadas para limpar o Cleone.

Passo	Ação
1	Limpe a superfície exterior com um pano macio e húmido e uma solução com pouco sabão para remover pó, manchas e sujidade.
2	Seque com um pano seco e macio.

PT

Manutenção regular



A manutenção regular é importante para uma correcta utilização das funções e funcionamento a longo prazo. A manutenção apenas pode ser realizada por pessoal aprovado e com a devida formação.



A qualidade da água controla a frequência de manutenção. Se a alimentação de água contiver elevados níveis de sólidos dissolvidos, realize a manutenção com mais frequência.



Para obter instruções sobre como fazer a manutenção, consulte o Complete User manual, em www.bluewatergroup.com.

Frequência	Descrição
6 meses	Substitua o pré-filtro de sedimentos grandes (CL-20)
	Substitua o pré-filtro de sedimentos pequenos (CL-5)
	Substitua o pré-filtro de carbono activado (CL-C)
	Substitua o filtro mineral integrado
	Lave o pré-filtro de carbono activado
	Proceda a uma verificação de qualidade e pressão da alimentação de água
1 ano	Substitua o pós-filtro de carbono activado (CL-Inline-C)
	Substitua a lâmpada de UV
	Lave o pós-filtro de carbono activado
3-5 anos	Substitua a membrana de osmose inversa

RESOLUÇÃO DE PROBLEMAS

Resolução de problemas simples



Para problemas mais graves, consulte o Complete User manual, em www.bluewatergroup.com.

Sintoma	Causa	Solução
Não sai água da torneira de água limpa. O indicador luminoso de funcionamento do sistema está desligado.	O Cleone não está ligado à alimentação eléctrica.	Ligue o Cleone ao transformador e a uma tomada de alimentação eléctrica. Certifique-se de que o cabo de 24 V CC do transformador está ligado à tomada de alimentação eléctrica no Cleone.
	O Cleone não está ligado.	Coloque o interruptor de alimentação na posição 1.
	Foi detectada uma fuga interna. O Cleone foi parado automaticamente.	Contacte o seu concessionário Bluewater para reparar a fuga e reiniciar o sistema.
Não sai água da torneira de água limpa. O indicador luminoso de funcionamento do sistema está ligado.	O Cleone foi instalado pela primeira vez e o sistema não está abastecido com água.	Aguarde que o sistema fique abastecido com água.
	Os tubos de água não estão ligados ou a ligação foi feita incorrectamente.	Certifique-se de que as ligações estão feitas de forma correcta.
	Não foi efectuada a manutenção regular. Os pré-filtros estão obstruídos.	Contacte o seu concessionário Bluewater para proceder à manutenção do Cleone.
Não sai água da torneira de água limpa. O indicador luminoso de funcionamento do sistema pisca com elevada intensidade (0,1 s ligado, 0,1 s desligado).	A pressão da alimentação de água é demasiado baixa e o sistema de protecção da bomba interrompeu o fornecimento de alimentação de água.	O Cleone começará a funcionar de modo normal quando a pressão da alimentação de água for reposta.
Não sai água da torneira de água limpa. O indicador luminoso de funcionamento do sistema pisca rapidamente (0,5 s ligado, 0,5 s desligado).	O Cleone parou porque a qualidade da água é reduzida.	Contacte o seu concessionário Bluewater para obter assistência técnica.
O indicador luminoso de funcionamento do sistema pisca rapidamente (0,5 s ligado, 0,5 s desligado). Sai água da torneira de água limpa.	A qualidade da água diminuiu.	É seguro utilizar a água limpa. Contacte o seu concessionário Bluewater para obter mais informações.
O indicador luminoso de funcionamento do sistema pisca lentamente (2 s ligado, 2 s desligado).	Os filtros devem ser substituídos.	Consulte a secção "Manutenção regular" para obter informações sobre quando deve substituir os filtros. Substitua os filtros e reponha o indicador de filtro conforme descrito no Complete User manual.
O débito da torneira de água limpa é baixo.	O depósito de água limpa está vazio devido a um elevado consumo de água.	Obtenha um depósito maior ou uma membrana de capacidade mais elevada.
	A pressão de ar no depósito de água limpa está baixa.	Contacte o seu concessionário Bluewater para repor a pressão de ar correcta no depósito de água limpa.
Demasiado ruído contínuo durante a purificação da água.	É necessário fazer manutenção na bomba de reforço.	Contacte o seu concessionário Bluewater.

Indice

SICUREZZA	36
Istruzioni per la sicurezza.....	36
Informazioni sulla sicurezza	36
PANORAMICA DEL PRODOTTO	37
Parte esterna di Cleone	37
Parte interna di Cleone	38
PANORAMICA DEL SISTEMA.....	39
Descrizione del sistema.....	39
Installazione.....	39
Destinazione d'uso	40
Sistema di filtrazione dell'acqua.....	40
Lavaggio della membrana intelligente	40
Sistema di qualità dell'acqua.....	40
Sistema di protezione dalle perdite.....	40
Informazioni tecniche	40
MANUTENZIONE.....	41
Manutenzione giornaliera	41
Manutenzione regolare	41
RISOLUZIONE DEI PROBLEMI	42
Come risolvere problemi semplici.....	42

Assistenza clienti

Per i problemi minori consultare "Risoluzione dei problemi" prima di contattare l'assistenza. L'eventuale assistenza esterna può comportare costi aggiuntivi.

Per contattare Bluewater sarà necessario avere a disposizione i seguenti dati (reperibili sulla targhetta identificativa dietro al filtro):

- Modello
- Codice prodotto
- Numero di serie

Informazioni ambientali



L'80% dei componenti del depuratore d'acqua e la relativa confezione sono dotati di un'etichetta per facilitare il riciclo e lo smaltimento corretti. Il depuratore d'acqua è più efficiente quando agisce per periodi prolungati. Per es. non riempire un bicchiere di acqua, ma una caraffa.



Gli apparecchi dotati di questo simbolo devono essere portati al punto di raccolta locale previsto per lo smaltimento delle apparecchiature elettriche ed elettroniche. Questo prodotto non può essere smaltito con i normali processi di raccolta dei rifiuti domestici.

SICUREZZA

Istruzioni per la sicurezza

Prima di installare o utilizzare il dispositivo, leggere le informazioni sulla sicurezza. Rispettare le istruzioni contenute nel presente manuale per evitare lesioni personali o danni all'apparecchio. Questo manuale contiene ATTENZIONI e AVVISI applicabili per garantire un funzionamento sicuro del dispositivo.



ATTENZIONE indica le condizioni che possono causare danni all'apparecchio. Rispettare le istruzioni e non utilizzare l'apparecchio fino a quando tutte le condizioni non vengono accettate e soddisfatte.



Nota identifica informazioni importanti per un uso ottimale e senza problemi di Cleone.

Informazioni sulla sicurezza



Non scollegare i tubi esterni dell'acqua e non intervenire su di essi. Rivolgersi al proprio rivenditore Bluewater per ricevere assistenza nel caso sia necessario scollegare i tubi dell'acqua. In caso di emergenza, seguire le istruzioni riportate nel manuale dell'utente completo.



Questo apparecchio può essere usato da bambini con età superiore a 8 anni. Non è destinato a essere utilizzato da persone con ridotte capacità fisiche, sensoriali o mentali oppure con esperienza o competenze insufficienti, a meno che non siano sotto la supervisione di una persona responsabile o vengano istruite in merito all'utilizzo sicuro dell'apparecchio, in modo da comprendere i rischi che esso comporta.



Non riparare o modificare i componenti interni di Cleone. Questo può provocare malfunzionamenti o renderne pericoloso l'utilizzo.



Si consiglia di utilizzare l'alimentatore originale Bluewater come unica fonte di energia elettrica per Cleone. Un alimentatore diverso potrebbe comportare rischi durante l'utilizzo e causare danni alle parti interne di Cleone. Non usare il cavo se presenta segni visibili di danneggiamento. Se il cavo di alimentazione è danneggiato, sostituirlo per evitare pericoli.



Gli interventi di assistenza, manutenzione e riparazioni su Cleone possono essere eseguiti unicamente da personale autorizzato Bluewater. Si consiglia di utilizzare solo cartucce e parti di ricambio originali Bluewater.



Non immergere Cleone in acqua. Pulire la superficie con un panno umido e una soluzione a base di detergente delicato. Non usare prodotti chimici per pulire la superficie di Cleone: alcol, benzina, acidi organici e inorganici e basi forti (come il detergente per piatti concentrato) causano danni alla superficie di Cleone.



Non posizionare oggetti sopra Cleone.



Non usare Cleone in presenza di acqua di alimentazione microbiologicamente pericolosa o in ambienti in cui la qualità microbiologica dell'acqua non sia nota.

PANORAMICA DEL PRODOTTO

Modello	Cleone Classic	Cleone Balance	Cleone Ultra	Cleone PurityPlus
Lampada UV			✓	✓
Filtro minerale integrato		✓		✓

Parte esterna di Cleone

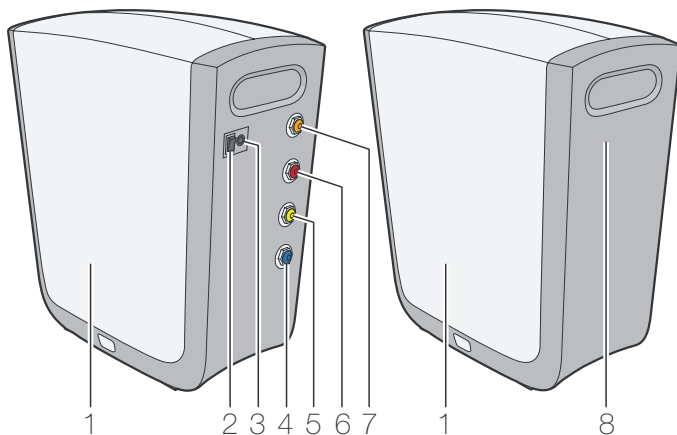


Figure 1. Vista della parte esterna di Cleone

Pos	Descrizione	Pos	Descrizione
1	Coperchio laterale	5	Raccordo serbatoio acqua pulita - GIALLO
2	Interruttore di accensione	6	Raccordo acqua di scarico - ROSSO
3	Collegamento elettrico	7	Raccordo ingresso dell'acqua - ARANCIONE
4	Raccordo rubinetto acqua pulita - BLU	8	Indicatore di funzionamento del sistema

Interruttore di accensione

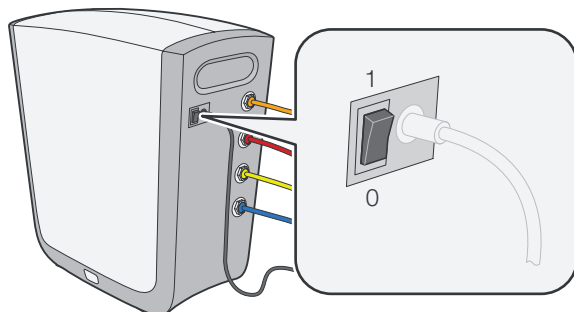


Figure 2. Interruttore di accensione

Posizione	Descrizione
1	Cleone è avviato. L'acqua può essere pulita.
0	Cleone si arresta. L'acqua non viene pulita. L'acqua proveniente dal serbatoio dell'acqua pulita può essere utilizzata fino al momento in cui il serbatoio non risulta vuoto.

Indicatore di funzionamento del sistema

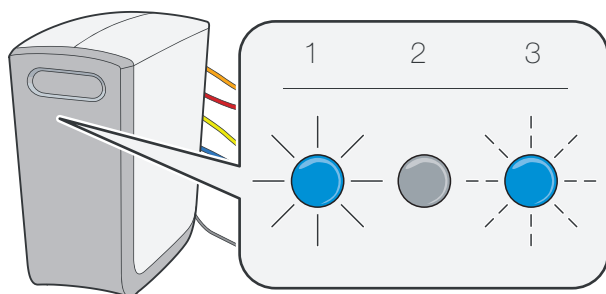


Figure 3. Indicatore di funzionamento del sistema

Pos	Descrizione
1	Acceso - Cleone funziona correttamente.
2	Spento - Cleone è spento. Se l'interruttore di accensione è in posizione "1" vedere la sezione "Risoluzione dei problemi".
3	Lampeggiante - Si è verificato un problema. Consultare "Risoluzione dei problemi" o contattare il proprio rivenditore Bluewater.

Parte interna di Cleone

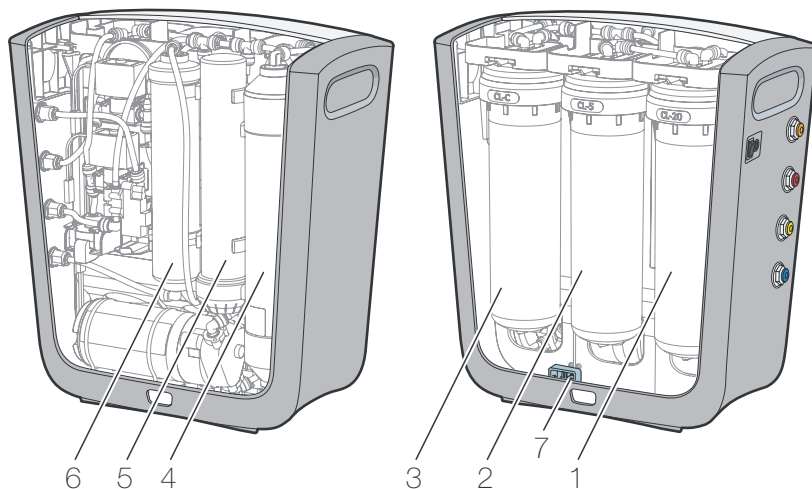


Figure 4. Parte interna di Cleone

Pos	Descrizione	Pos	Descrizione
1	Pre-filtro sedimenti grossolani (CL-20)	5	Post-filtro a carboni attivi (CL-In linea-C) (Classic, Balance, Ultra) (PurityPlus)
2	Pre-filtro sedimenti fini (CL-5)	6	Lampada UV (Ultra) Filtro minerale integrato (Balance, PurityPlus) La posizione va lasciata vuota per il modello Classic.
3	Pre-filtro a carboni attivi (CL-C)	7	Interruttore sistema di protezione dalle perdite
4	Membrana a osmosi inversa		

PANORAMICA DEL SISTEMA

Descrizione del sistema

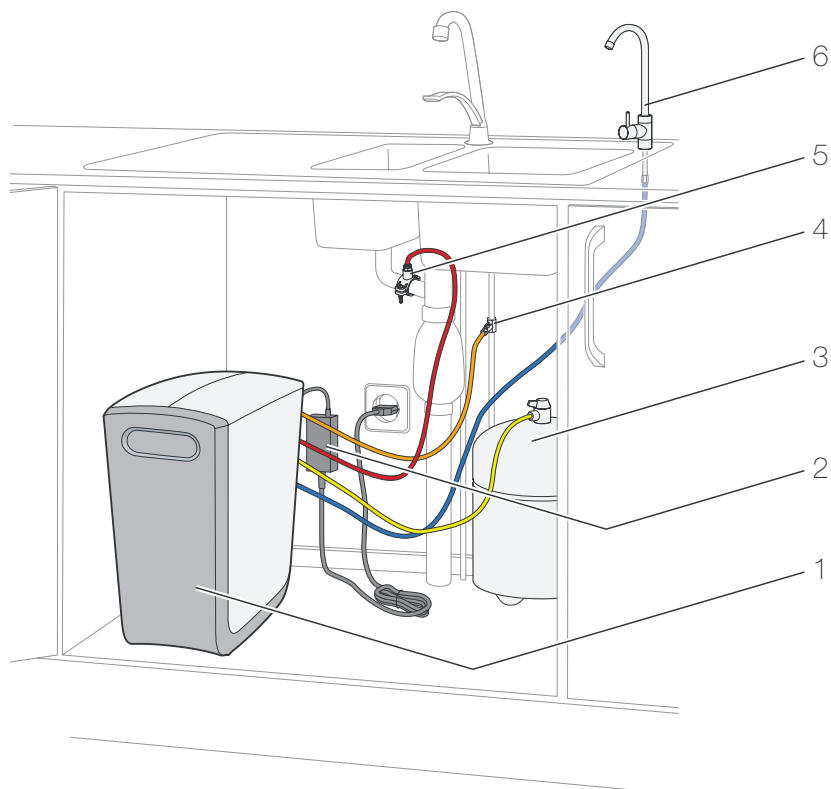


Figure 5. Panoramica del sistema

Pos	Descrizione	Pos	Descrizione
1	Depuratore d'acqua Cleone	4	Collegamento acqua di alimentazione
2	Alimentatore	5	Collegamento acqua di scarico
3	Serbatoio acqua pulita	6	Rubinetto acqua pulita

Installazione



Per l'installazione negli Stati Uniti sono necessarie istruzioni particolari. Consultare il Complete User manual.



Per eseguire l'installazione di Cleone, si raccomanda di ricorrere a un professionista consigliato da un rivenditore autorizzato Bluewater. Le istruzioni relative all'installazione sono disponibili sul sito web www.bluewatergroup.com.

Destinazione d'uso

Cleone è un depuratore d'acqua per uso domestico. Non utilizzarlo per altri scopi. Qualsiasi uso al di fuori dell'ambiente domestico e per scopi diversi dalla purificazione dell'acqua per uso domestico è considerato come uso improprio e invalida automaticamente la garanzia.

Sistema di filtrazione dell'acqua

Cleone purifica l'acqua in tre fasi: pre-filtrazione, filtrazione a membrana e post-filtrazione. L'acqua pulita generata da Cleone viene raccolta nel serbatoio dell'acqua pulita. Quando il serbatoio è pieno, Cleone entra in modalità standby. Quando il livello del serbatoio dell'acqua pulita è basso, Cleone avvia l'erogazione dell'acqua di alimentazione e comincia a purificare l'acqua.

Collegamenti idraulici

Ci sono quattro raccordi dell'acqua sul lato di collegamento di Cleone. Gli anelli di serraggio e i tubi hanno dei colori per il riconoscimento.

Colore	Collegamento	Descrizione
ARANCIONE	Acqua di alimentazione	Il collegamento dell'acqua di alimentazione eroga l'acqua di alimentazione a Cleone.
ROSSO	Acqua di scarico	L'acqua di scarico che da Cleone va al tubo di scarico contiene contaminante respinto e rimosso.
GIALLO	Serbatoio acqua pulita	L'acqua pulita viene raccolta nell'apposito serbatoio prima di essere erogata al rubinetto dell'acqua pulita.
BLU	Rubinetto acqua pulita	L'acqua pulita viene erogata da Cleone al rubinetto dell'acqua pulita.

Lavaggio della membrana intelligente

La membrana a osmosi inversa viene lavata regolarmente con acqua quando è in modalità standby e prima e dopo il ciclo di pulizia. Questo garantisce che il processo di pulizia inizi sempre con acqua di alimentazione fresca.

Sistema di qualità dell'acqua

Il processo di pulizia è costantemente monitorato per verificare che la qualità dell'acqua sia elevata. Se la qualità dell'acqua diminuisce, la spia di funzionamento del sistema lampeggia. Se il problema persiste, Cleone si arresta.

Sistema di protezione dalle perdite

Un sensore posizionato sul fondo di Cleone rileva le perdite d'acqua. Nel caso ci sia una perdita, l'erogazione dell'acqua di alimentazione viene interrotta. Cleone non può essere azionato fino al momento in cui la perdita sia stata riparata.

Informazioni tecniche



Per informazioni tecniche più dettagliate, consultare il sito web www.bluewatergroup.com

Parametro/Modello	Cleone Classic	Cleone Balance	Cleone Ultra	Cleone PurityPlus
Dimensioni LxPxH [mm]	215x380x416	215x380x416	215x380x416	215x380x416
Peso [kg]	10,4	11	11,4	12
Alimentazione elettrica	95-240V 50-60Hz	95-240V 50-60Hz	95-240 V50-60Hz	95-240V 50-60Hz
Portata d'acqua purificata [Vgiorno (GPD)]	160 (43)	160 (43)	160 (43)	160 (43)

MANUTENZIONE

Manutenzione giornaliera

Pulizia di Cleone



Non utilizzare prodotti chimici per pulire la superficie: alcol, benzina, acidi organici e inorganici e basi forti (come il detergente per piatti concentrato) causano danni alla superficie.



Non utilizzare utensili duri o affilati per pulire Cleone.

Fase	Esecuzione
1	Pulire la superficie esterna con un panno morbido e umido e una soluzione a base di detergente delicato per rimuovere polvere, macchie e sporco.
2	Asciugare con un panno morbido e asciutto.

IT

Manutenzione regolare



La manutenzione regolare è importante per un funzionamento corretto e a lungo termine dell'apparecchio. Gli interventi di manutenzione possono essere eseguiti solo da personale abilitato e autorizzato.



La qualità dell'acqua determina la frequenza della manutenzione. Se l'acqua di alimentazione contiene livelli elevati di solidi disciolti, eseguire la manutenzione più frequentemente.



Per istruzioni su come effettuare la manutenzione, consultare il Complete User manual presente sul sito web www.bluewatergroup.com

Frequenza	Descrizione
6 mesi	Sostituire il pre-filtro sedimenti grossolani (CL-20)
	Sostituire il pre-filtro sedimenti fini (CL-5)
	Sostituire il pre-filtro a carboni attivi (CL-C)
	Sostituire il filtro minerale integrato
	Lavare il pre-filtro a carboni attivi
	Effettuare un controllo della pressione e della qualità dell'acqua di alimentazione
1 anno	Sostituire il post-filtro a carboni attivi (CL-In linea-C)
	Sostituire la lampada UV
	Lavare il post-filtro a carboni attivi
3-5 anni	Sostituire la membrana a osmosi inversa

RISOLUZIONE DEI PROBLEMI

Come risolvere problemi semplici



Per i problemi più gravi, consultare il Complete User manual presente sul sito web www.bluewatergroup.com

Sintomo	Causa	Soluzione
Non proviene acqua dal rubinetto dell'acqua pulita. La spia di funzionamento del sistema è spenta.	Cleone non è collegato all'alimentazione.	Collegare Cleone a una presa elettrica e all'alimentatore. Assicurarsi che il cavo 24 V CC dell'alimentatore sia collegato alla presa di alimentazione elettrica presente su Cleone.
	Cleone non si avvia.	Spostare l'interruttore in posizione 1.
	È stata rilevata una perdita interna. Cleone si è arrestato automaticamente.	Contattare il proprio rivenditore Bluewater per riparare la perdita e ripristinare il sistema.
Non proviene acqua dal rubinetto dell'acqua pulita. La spia di funzionamento del sistema è accesa.	Cleone è stato installato per la prima volta e il sistema non si è ancora riempito d'acqua.	Attendere che il sistema si riempia.
	I tubi dell'acqua non sono collegati o il collegamento non è stato effettuato correttamente.	Assicurarsi che i collegamenti siano effettuati correttamente.
	Non è stata effettuata una manutenzione regolare. I pre-filtri sono ostruiti.	Contattare il proprio rivenditore Bluewater per richiedere un intervento di manutenzione su Cleone.
Non proviene acqua dal rubinetto dell'acqua pulita. La spia di funzionamento del sistema lampeggia in maniera molto rapida (0,1 sec. ACCESO, 0,1 sec. SPENTO).	La pressione dell'acqua di alimentazione è troppo bassa e il sistema di protezione della pompa ha arrestato l'erogazione dell'acqua di alimentazione.	Cleone inizierà a funzionare regolarmente nel momento in cui la pressione dell'acqua di alimentazione ritornerà normale.
Non proviene acqua dal rubinetto dell'acqua pulita. La spia di funzionamento del sistema lampeggia in maniera rapida (0,5 sec. ACCESO, 0,5 sec. SPENTO).	Cleone si è arrestato a causa della scarsa qualità dell'acqua.	Contattare il proprio rivenditore Bluewater per l'assistenza.
La spia di funzionamento del sistema lampeggia in maniera rapida (0,5 sec. ACCESO, 0,5 sec. SPENTO). Viene erogata acqua dal rubinetto dell'acqua pulita.	La qualità dell'acqua è diminuita.	L'uso dell'acqua depurata non presenta problemi di sicurezza. Contattare il proprio rivenditore Bluewater per ulteriori informazioni.
La spia di funzionamento del sistema lampeggia lentamente (2 sec. ACCESO, 2 sec. SPENTO).	I filtri devono essere sostituiti.	Per informazioni su quando sostituire i filtri, consultare "Manutenzione regolare". Sostituire i filtri e resettare la spia del filtro come descritto nel Complete User manual.
La portata del rubinetto dell'acqua pulita è bassa.	Il serbatoio dell'acqua pulita è vuoto a causa dell'elevato consumo di acqua.	Passare a un serbatoio più grande o a una membrana con capacità maggiore.
	La pressione dell'aria nel serbatoio dell'acqua pulita è bassa.	Contattare il proprio rivenditore Bluewater per ripristinare la pressione corretta nel serbatoio dell'acqua pulita.
Presenza di un rumore continuo eccessivo durante la depurazione dell'acqua.	È necessario un intervento di manutenzione sulla pompa booster.	Contattare il proprio rivenditore Bluewater.

Inhalt

SICHERHEIT.....	44
Sicherheitsvorschriften.....	44
Sicherheitsinformationen.....	44
PRODUKTÜBERSICHT.....	45
Außenseite des Cleone.....	45
Innenseite des Cleone.....	46
SYSTEMÜBERSICHT.....	47
Systembeschreibung.....	47
Montage.....	47
Verwendungszweck.....	48
Wasserfiltrationssystem.....	48
Intelligente Membranspülung.....	48
Wasserqualitätssystem.....	48
Auslaufschutzsystem.....	48
Technische Daten.....	48
WARTUNG.....	49
Tägliche Wartung.....	49
Regelmäßige Wartung.....	49
FEHLERBEHEBUNG.....	50
Lösen einfacher Probleme.....	50

DE

Kundendienst

Konsultieren Sie "Fehlerbehebung" zur Lösung kleiner Probleme, bevor Sie den Kundendienst rufen. Wenn Sie eine externe Kundendienstunterstützung benötigen, kann dies mit Kosten verbunden sein.

Vergewissern Sie sich, dass Sie die folgenden Daten bereit halten, wenn Sie sich telefonisch mit Bluewater in Verbindung setzen (die Daten finden Sie auf dem Typenschild hinter dem Filter).

- Modell
- Produktnummer
- Seriennummer

Umweltinformation



80 % der Wasserreingerkomponenten und die Verpackung sind mit einem Hinweis gekennzeichnet, der Ihnen die Rückführung zur Wiederverwertung bzw. umweltgerechte Entsorgung erleichtert. Der Wassereiniger ist effizienter, wenn er für längere Zeiträume für die Wasseraufbereitung eingesetzt wird. Beispiel: Füllen Sie nicht ein Glas mit Wasser. Füllen Sie stattdessen eine Karaffe mit Wasser.



Mit diesem Symbol gekennzeichnete Geräte müssen bei der dafür vorgesehenen örtlichen Annahmestelle zur Entsorgung von Elektro- und Elektronikgeräten abgegeben werden. Dieses Produkt darf nicht im Hausmüll entsorgt werden.

SICHERHEIT

Sicherheitsvorschriften

Lesen Sie die Sicherheitshinweise bitte sorgfältig durch, bevor Sie das Gerät installieren oder bedienen. Halten Sie sich an die in dieser Bedienungsanleitung aufgeführten Anweisungen, um Verletzungen oder Schäden am Gerät zu vermeiden. In der Bedienungsanleitung finden sich die Kennzeichnungen „VORSICHT“ und „HINWEIS“, die für einen sicheren Betrieb des Gerätes sorgen sollen.



VORSICHT bezieht sich auf Situationen, die Schäden am Gerät zur Folge haben können. Halten Sie sich an die Anweisungen und setzen Sie den Betrieb nicht fort, bis alle Probleme behoben wurden.



Ein HINWEIS kennzeichnet Informationen, die für eine fehlerfreie und optimale Funktion des Cleone wichtig sind.

Sicherheitsinformationen



Trennen Sie die außenliegenden Wasserschläuche nicht ab und nehmen Sie keine Arbeiten an ihnen vor. Wenn Sie die Wasserschläuche abtrennen müssen, sprechen Sie vorher mit Ihrem Bluewater-Händler. Halten Sie sich im Notfall an die Anweisungen im vollständigen Bedienerhandbuch.



Das Gerät darf von Kindern über 8 Jahren verwendet werden. Personen mit eingeschränkten körperlichen, sensorischen oder geistigen Fähigkeiten bzw. Personen ohne ausreichende Erfahrung und Kenntnis dürfen das Gerät nur unter Aufsicht benutzen oder wenn sie im Vorfeld eine Einweisung in den sicheren Gebrauch des Geräts erhalten haben und die mit der Verwendung verbundenen Gefahren kennen.



Reparieren oder wechseln Sie niemals die innenliegenden Bauteile des Cleone. Dies kann die ordnungsgemäße Funktion des Gerätes beeinträchtigen oder seine Handhabung gefährlich machen.



Schließen Sie den Cleone ausschließlich über das Original-Netzteil von Bluewater an eine Stromquelle an. Die Verwendung eines anderen Netzteils kann dazu führen, dass die Handhabung des Cleone gefährlich wird und innenliegende Bauteile beschädigt werden. Verwenden Sie das Kabel nicht, wenn es sichtbare Beschädigungen aufweist. Ersetzen Sie das Kabel, wenn es beschädigt ist, um Gefahren vorzubeugen.



Am Cleone durchzuführende Instandhaltungs-, Wartungs- und Reparaturmaßnahmen dürfen ausschließlich von zugelassenen Bluewater-Mitarbeitern vorgenommen werden. Verwenden Sie immer nur Original-Ersatzpatronen und -teile von Bluewater.



Tauchen Sie den Cleone niemals ins Wasser. Reinigen Sie die Oberfläche mit einem feuchten Tuch und einer milden Seifenlösung. Verwenden Sie für die Reinigung der Oberfläche des Cleone keine Chemikalien. Alkohol, Benzin, organische und anorganische Säuren, starke basische Chemikalien (z. B. konzentrierter Geschirreiniger) beschädigen die Oberfläche des Cleone.



Legen Sie keine Gegenstände auf dem Cleone ab.



Verwenden Sie den Cleone nicht mit Speisewasser, das mikrobiologisch gefährlich bzw. dessen mikrobiologische Qualität nicht bekannt ist.

PRODUKTÜBERSICHT

Modell	Cleone Classic	Cleone Balance	Cleone Ultra	Cleone PurityPlus
UV-Lampe			✓	✓
Integrierter Mineralfilter		✓		✓

Außenseite des Cleone

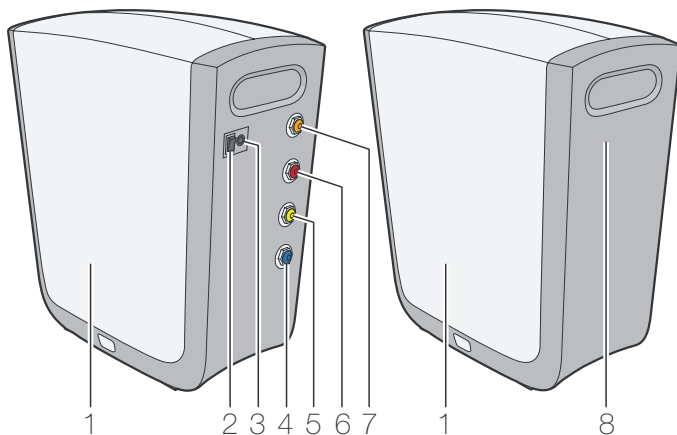


Figure 1. Außenseite des Cleone

Pos	Beschreibung	Pos	Beschreibung
1	Seitenabdeckung	5	Reinwassertankanschluss – GELB
2	Netzschalter	6	Abwasseranschluss – ROT
3	Stromanschluss	7	Zulaufwasseranschluss – ORANGE
4	Reinwasserhahnanschluss – BLAU	8	Systembetriebsanzeige

Netzschalter

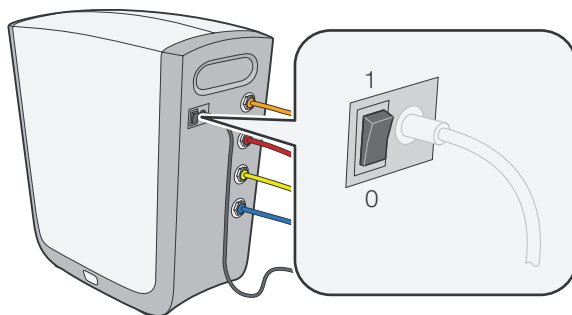


Figure 2. Netzschalter

Position	Beschreibung
1	Der Cleone wurde in Betrieb genommen. Das Wasser kann gereinigt werden.
0	Der Betrieb des Cleone wurde unterbrochen. Es wird kein Wasser gereinigt. Das Wasser aus dem Reinwassertank kann verwendet werden, bis dieser leer ist.

Systembetriebsanzeige

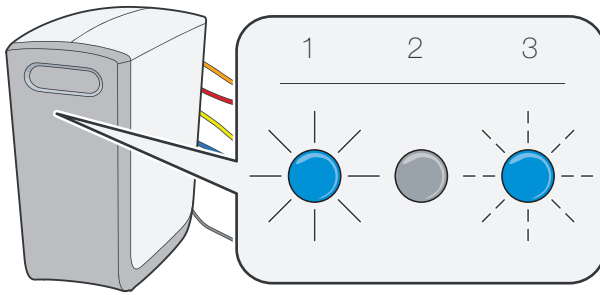


Figure 3. Systembetriebsanzeige

Pos	Beschreibung
1	Ein – Der Cleone funktioniert ordnungsgemäß.
2	Aus – Der Cleone ist ausgeschaltet. Wenn sich der Netzschalter auf der Position „1“ befindet, siehe "Fehlerbehebung".
3	Blinken – Es ist ein Problem aufgetreten. Siehe Abschnitt "Fehlerbehebung" oder kontaktieren Sie Ihren Bluewater-Händler.

Innenseite des Cleone

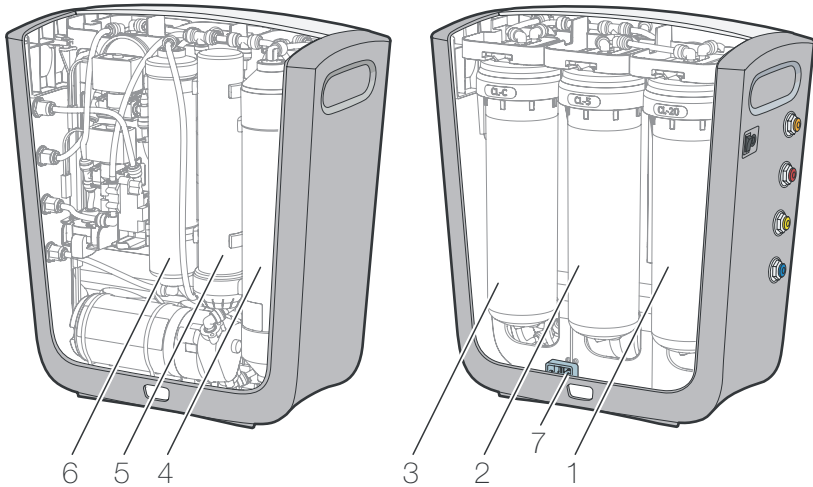


Figure 4. Innenseite des Cleone

Pos	Beschreibung	Pos	Beschreibung
1	Grobsediment-Vorfilter (CL-20)	5	Aktivkohle-Nachfilter (CL-Inline-C) UV-Lampe (Classic, Balance, Ultra) (PurityPlus)
2	Feinsediment-Vorfilter (CL-5)	6	UV-Lampe Integrierter Mineralfilter (Ultra) (Balance, PurityPlus) Die Position wurde für Classic freigelassen.
3	Aktivkohle-Vorfilter (CL-C)	7	Schalter für das Auslaufschutzsystem
4	Gegenosmose-Membran		

SYSTEMÜBERSICHT

Systembeschreibung

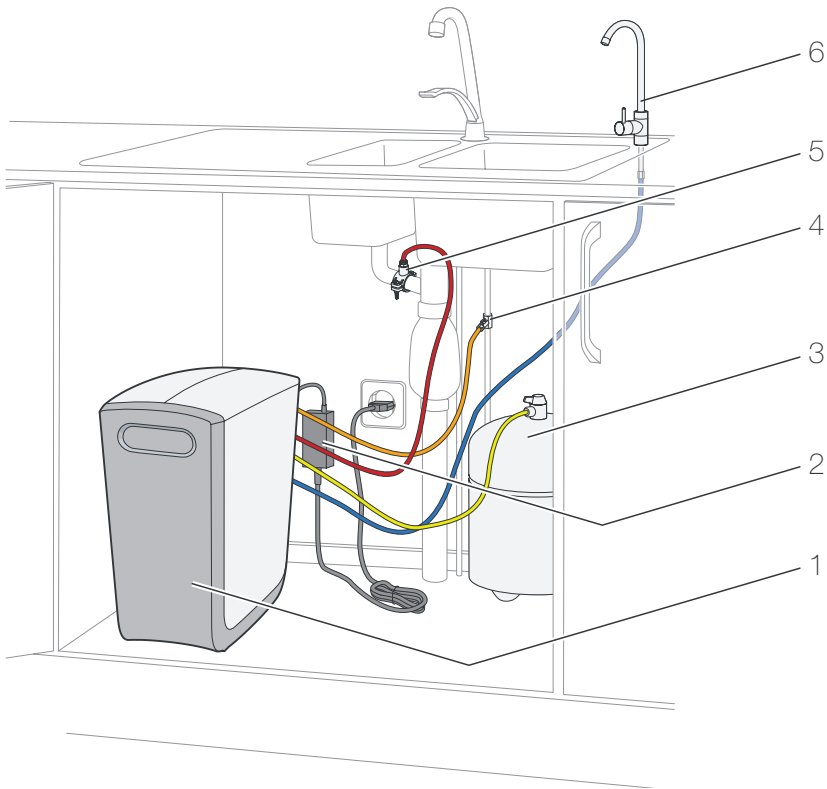


Figure 5. Systemübersicht

Pos	Beschreibung	Pos	Beschreibung
1	Wasserreiniger Cleone	4	Speisewasseranschluss
2	Netzteil	5	Abwasseranschluss
3	Reinwassertank	6	Reinwasserhahn

Montage



Für die USA gelten besondere Montageanweisungen. Siehe „Complete User manual“.



Wir empfehlen, den Cleone von einem Fachmann montieren zu lassen, der von einem autorisierten Bluewater-Händler empfohlen wurde. Hinweise zur Montage finden Sie auf www.bluewatergroup.com.

Verwendungszweck

Der Cleone ist ein Wasserreiniger für den häuslichen Gebrauch. Verwenden Sie ihn niemals für einen anderen als den vorgesehenen Zweck. Jegliche Verwendung, die von einer Nutzung innerhalb des Wohnbereichs und der Reinigung von Wasser für den Hausgebrauch abweicht, gilt als unsachgemäße Verwendung und hat automatisch das Erlöschen der Garantie für Ihren Cleone zur Folge.

Wasserfilterungssystem

Der Cleone reinigt das Wasser in drei Schritten: Vorfiltration, Membranfiltration und Nachfiltration. Das durch den Cleone gereinigte Wasser wird im Reinwassertank gesammelt. Wenn der Tank voll ist, schaltet sich der Cleone in den Standby-Modus. Wenn der Wasserstand im Reinwassertank niedrig ist, öffnet der Cleone die Speisewasserzufuhr und startet die Wasserreinigung.

Wasseranschlüsse

An der Anschlussseite des Cleone befinden sich vier Wasseranschlüsse. Die Stellringe und Schläuche sind farblich codiert.

Farbe	Anschluss	Beschreibung
ORANGE	Speisewasser	Über den Speisewasseranschluss wird dem Cleone Speisewasser zugeführt.
ROT	Abwasser	Das Abwasser, das vom Cleone in die Ablaufleitung fließt, enthält ausgespülte und ausgesonderte Verunreinigungen.
GELB	Reinwassertank	Das gereinigte Wasser wird im Reinwassertank gesammelt, bevor es über den Reinwasserhahn entnommen werden kann.
BLAU	Reinwasserhahn	Das durch den Cleone gereinigte Wasser wird über den Reinwasserhahn zur Verfügung gestellt.

Intelligente Membranspülung

Die Gegenosmose-Membran wird regelmäßig im Standby-Modus mit Wasser durchspült. Die Membran wird auch vor und nach dem Reinigungszyklus gespült. Auf diese Weise wird sichergestellt, dass der Reinigungsvorgang immer mit frischem Speisewasser begonnen wird.

Wasserqualitätssystem

Der Reinigungsprozess wird durchgehend überwacht, um eine konstant hohe Wasserqualität sicherzustellen. Wenn sich die Wasserqualität verschlechtert, blinkt die Systembetriebsanzeige. Wenn das Problem weiter besteht, stoppt der Cleone.

Auslaufschutzsystem

Ein Sensor an der Unterseite des Cleone spürt Wasserlecks auf. Wird ein Leck entdeckt, wird die Speisewasserzufuhr unterbrochen. In diesem Fall kann der Cleone erst wieder gestartet werden, wenn das Leck repariert wurde.

Technische Daten



Detaillierte technische Daten finden Sie auf www.bluewatergroup.com.

Parameter/Modell	Cleone Classic	Cleone Balance	Cleone Ultra	Cleone PurityPlus
Größe B×T×H [mm]	215×380×416	215×380×416	215×380×416	215×380×416
Gewicht [kg]	10,4	11	11,4	12
Stromversorgung	95-240V 50-60Hz	95-240V 50-60Hz	95-240V 50-60Hz	95-240V 50-60Hz
Durchflussrate gereinigtes Wasser [l/Tag (GPD)]	160 (43)	160 (43)	160 (43)	160 (43)

WARTUNG

Tägliche Wartung

Reinigung



Reinigen Sie die Oberfläche niemals mit Chemikalien. Alkohol, Benzin, organische und anorganische Säuren, starke basische Chemikalien (z. B. konzentrierter Geschirreiniger) schädigen die Oberfläche.



Verwenden Sie zur Reinigung des Cleone keine harten oder scharfkantigen Werkzeuge.

Schritt	Maßnahme
1	Reinigen Sie die Oberfläche an der Außenseite mit einem weichen, feuchten Lappen und einer milden Seifenlösung, um Staub, Schmutz und Flecken zu entfernen.
2	Wischen Sie das Gerät mit einem trockenen Lappen trocken.

Regelmäßige Wartung



Eine regelmäßige Wartung ist wichtig, um eine ordnungsgemäße Funktion und eine lange Lebensdauer zu gewährleisten. Die Wartung darf ausschließlich von geschulten und zugelassenen Mitarbeitern durchgeführt werden.



Wie häufig eine Wartung notwendig ist, hängt von der Wasserqualität ab. Führen Sie die regelmäßigen Wartungen in kürzeren Abständen durch, wenn das Speisewasser einen hohen Gehalt gelöster Feststoffe aufweist.



Hinweise zur Durchführung von Wartungsarbeiten finden Sie im vollständigen Bedienerhandbuch auf www.bluewatergroup.com.

Häufigkeit	Beschreibung
6 Monate	Wechsel des Grobsediment-Vorfilters (CL-20)
	Wechsel des Feinsediment-Vorfilters (CL-5)
	Wechsel des Aktivkohle-Vorfilters (CL-C)
	Wechsel des integrierten Mineralfilters
	Spülen des Aktivkohle-Vorfilters
	Überprüfen von Speisewasserdruck und -qualität
1 Jahr	Wechsel des Aktivkohle-Nachfilters (CL-Inline-C)
	Wechsel der UV-Lampe
	Spülen des Aktivkohle-Nachfilters
3-5 Jahre	Wechsel der Gegenosmose-Membran

DE

FEHLERBEHEBUNG

Lösen einfacher Probleme



Unterstützung bei schwerwiegenden Problemen finden Sie im vollständigen Bedienerhandbuch auf www.bluewatergroup.com.

Symptom	Ursache	Lösung
Aus dem Reinwasserhahn kommt kein Wasser. Die Systembetriebsanzeige ist aus.	Der Cleone hat keinen Strom.	Stecken Sie den Cleone über das Netzteil an einer Steckdose an. Vergewissern Sie sich, dass das 24-V-Kabel des Netzteils richtig am Netzteilanschluss des Cleone angesteckt ist.
	Der Cleone ist nicht eingeschaltet.	Stellen Sie den Netzschalter auf die Position 1.
	Im Inneren wurde ein Leck festgestellt. Der Betrieb des Cleone wurde automatisch unterbrochen.	Wenden Sie sich an Ihren Bluewater-Händler, damit dieser das Leck repariert und das System zurücksetzt.
Aus dem Reinwasserhahn kommt kein Wasser. Die Systembetriebsanzeige ist an.	Der Cleone wurde neu installiert und das System ist noch nicht mit Wasser vollgelaufen.	Warten Sie, bis sich das System mit Wasser gefüllt hat.
	Die Wasserschläuche sind nicht oder falsch angeschlossen.	Prüfen Sie, ob die Anschlüsse richtig vorgenommen wurden.
	Die regelmäßigen Wartungsmaßnahmen wurden nicht durchgeführt. Die Vorfilter sind verstopft.	Wenden Sie sich an Ihren Bluewater-Händler, damit dieser den Cleone wartet.
Aus dem Reinwasserhahn kommt kein Wasser. Die Systembetriebsanzeige blinkt mit hoher Geschwindigkeit (in Intervallen von 0,1 s).	Der Speisewasserdruck ist zu niedrig und das Pumpenschutzsystem hat die Speisewasserzufuhr unterbrochen.	Der Cleone läuft wieder normal, wenn der Speisewasserdruck zurückkehrt.
Aus dem Reinwasserhahn kommt kein Wasser. Die Systembetriebsanzeige blinkt mit mittlerer Geschwindigkeit (in Intervallen von 0,5 s).	Der Cleone hat gestoppt, da die Wasserqualität zu gering ist.	Bitte kontaktieren Sie zu Wartungszwecken Ihren Bluewater-Händler.
Die Systembetriebsanzeige blinkt mit mittlerer Geschwindigkeit (in Intervallen von 0,5 s). Aus dem Reinwasserhahn kommt Wasser.	Die Wasserqualität ist zu weit gesunken.	Das gereinigte Wasser kann bedenkenlos verwendet werden. Bitte kontaktieren Sie für weitere Informationen Ihren Bluewater-Händler.
Die Systembetriebsanzeige blinkt mit niedriger Geschwindigkeit (in Intervallen von 2,0 s).	Die Filter müssen ausgetauscht werden.	Der Abschnitt "Regelmäßige Wartung" enthält Informationen darüber, wann die Filter gewechselt werden müssen. Tauschen Sie die Filter aus und setzen Sie die Filteranzeige gemäß den Anweisungen des „Complete User manual“ zurück.
Die Durchflussrate des Reinwasserhahns ist zu niedrig.	Der Reinwassertank ist aufgrund eines hohen Wasserverbrauchs leer.	Steigen Sie auf einen größeren Tank oder eine leistungsstärkere Membran um.
	Der Luftdruck im Reinwassertank ist zu niedrig.	Wenden Sie sich an Ihren Bluewater-Händler, damit dieser im Reinwassertank wieder den richtigen Luftdruck herstellt.
Während der Wasserreinigung treten zu viele Dauergeäusche auf.	Die Zwischenpumpe muss gewartet werden.	Bitte kontaktieren Sie Ihren Bluewater-Händler.

Spis treści

BEZPIECZEŃSTWO.....	52
Instrukcje dotyczące bezpieczeństwa.....	52
Informacje dotyczące bezpieczeństwa.....	52
SCHEMAT PRODUKTU	53
Elementy zewnętrzne urządzenia Cleone	53
Elementy wewnętrzne urządzenia Cleone	54
SCHEMAT SYSTEMU	55
Opis systemu.....	55
Montaż	55
Przeznaczenie	56
System filtracji wody	56
Inteligentne przepłukiwanie membrany	56
System kontroli jakości wody	56
System ochrony przed przeciekami	56
Dane techniczne	56
KONSERWACJA	57
Codzienna konserwacja.....	57
Regularna konserwacja.....	57
ROZWIĄZYWANIE PROBLEMÓW	58
Rozwiązywanie prostych problemów	58

Serwis

Przed wezwaniem serwisu patrz sekcja "Rozwiązywanie problemów", aby rozwiązać drobne problemy. Jeśli potrzebujesz wsparcia zewnętrznego serwisu, może to kosztować.

Przed rozmową z Bluewater upewnij się, że masz dostępne następujące dane (znajdujące się na tabliczce znamionowej umieszczonej za filtrem):

- Model
- Numer produktu
- Numer seryjny

Informacje dotyczące środowiska naturalnego



80% elementów urządzenia do oczyszczania wody oraz jego opakowania posiada etykietę informującą o sposobie recyklingu oraz wyrzucania. Urządzenie do oczyszczania wody jest bardziej skuteczne, jeżeli oczyszcza wodę przed dłuższy czas. Przykład: nie napełniaj szklanki wodą. Zamiast tego, napełnij cały dzbanek.



Urządzenia noszące ten symbol musi być oddane w wyznaczonym punkcie odbioru sprzętu elektrycznego i elektronicznego do utylizacji.

Produkt ten nie może być wyrzucany razem ze zwykłymi odpadami domowymi.

BEZPIECZEŃSTWO

Instrukcje dotyczące bezpieczeństwa

Niniejszy rozdział zawiera informacje dotyczące bezpieczeństwa, z którymi należy zapoznać się przed montażem i obsługą urządzenia. Aby zapobiec urazom lub uszkodzeniu urządzenia, należy przestrzegać wytycznych podanych w niniejszej instrukcji. Niniejsza instrukcja zawiera PRZESTROGI, i UWAGI dotyczące bezpiecznej obsługi urządzenia.



PRZESTROGA oznacza warunki, które mogą spowodować uszkodzenie sprzętu. Należy przestrzegać instrukcji i kontynuować działania dopiero po spełnieniu odpowiednich warunków.



Uwaga oznacza ważne informacje umożliwiające bezproblemową i optymalną pracę urządzenia Cleone.

Informacje dotyczące bezpieczeństwa



Nie odłączać zewnętrznych węży doprowadzających wodę i nie wykonywać przy nich żadnych prac. W razie konieczności odłączenia węży doprowadzających wodę należy skontaktować się z dystrybutorem. W sytuacjach awaryjnych należy postępować zgodnie z pełną instrukcją obsługi.



Urządzenie może być używane przez dzieci powyżej 8 roku życia. Urządzenie może być również używane przez osoby o ograniczonej sprawności fizycznej, zmysłowej i umysłowej oraz nieposiadające odpowiedniego doświadczenia ani wiedzy po zapewnieniu im odpowiedniego nadzoru lub instrukcji bezpiecznej obsługi oraz pod warunkiem, że rozumieją związane z tym ryzyko.



Nie naprawiać ani nie modyfikować elementów znajdujących się wewnątrz urządzenia Cleone. Może to spowodować nieprawidłowe działanie urządzenia Cleone lub stwarzać niebezpieczeństwo podczas jego użytkowania.



Jako źródła zasilania urządzenia Cleone należy używać wyłącznie oryginalnego zasilacza Bluewater. Użycie innego zasilacza może spowodować niebezpieczeństwo podczas użytkowania urządzenia Cleone oraz uszkodzenie jego wewnętrznych części. Nie wolno używać przewodu, jeżeli są na nim widoczne oznaki uszkodzenia. Jeśli przewód zasilający jest uszkodzony, należy go wymienić, aby zapobiec niebezpieczeństwu.



Serwis, konserwacja i naprawa urządzenia Cleone mogą być przeprowadzane wyłącznie przez upoważniony personel Bluewater. Należy używać wyłącznie oryginalnych wkładów i części zamiennych firmy Bluewater.



Nie zanurzać urządzenia Cleone w wodzie. Powierzchnię czyścić wilgotną ściereczką nasączoną słabym roztworem mydła. Nie używać środków chemicznych do czyszczenia powierzchni urządzenia Cleone. Alkohol, benzyna, kwasy organiczne i nieorganiczne oraz substancje chemiczne o odczynie silnie zasadowym (takie jak skoncentrowany detergent do mycia naczyń) mogą spowodować uszkodzenie powierzchni urządzenia Cleone.



Nie umieszczać żadnych przedmiotów na urządzeniu Cleone.



Nie stosować urządzenia Cleone, jeśli doprowadzana woda zawiera niebezpieczne składniki mikrobiologiczne lub gdy jej jakość mikrobiologiczna nie jest znana.

SCHEMAT PRODUKTU

Model	Cleone Classic	Cleone Balance	Cleone Ultra	Cleone PurityPlus
Lampa UV			✓	✓
Wbudowany filtr z wkładem mineralnym		✓		✓

Elementy zewnętrzne urządzenia Cleone

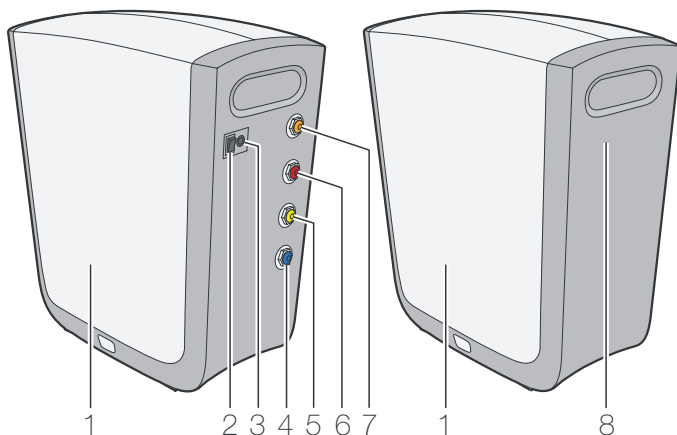


Figure 1. Elementy zewnętrzne urządzenia Cleone

Poz.	Opis	Poz.	Opis
1	Pokrywa boczna	5	Przyłącze zbiornika wody czystej – ŻÓŁTE
2	Włącznik zasilania	6	Przyłącze do odprowadzania wody – CZERWONE
3	Złącze elektryczne	7	Przyłącze do doprowadzania wody – POMARAŃCZOWE
4	Przyłącze kranu do wody czystej – NIEBIESKIE	8	Kontrolka działania systemu

Włącznik zasilania

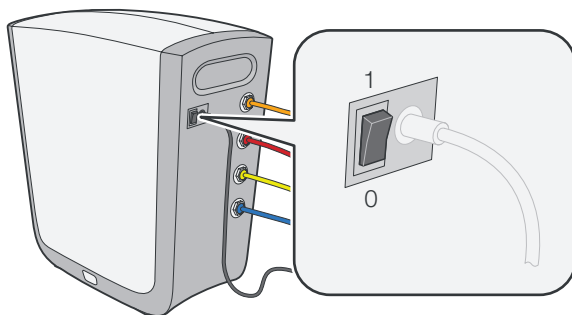


Figure 2. Włącznik zasilania

Pozycja	Opis
1	Urządzenie Cleone jest włączone. Woda może być oczyszczana.
0	Urządzenie Cleone jest wyłączone. Brak oczyszczania wody. Można korzystać z wody ze zbiornika wody czystej aż do wyczerpania zbiornika.

Kontrolka działania systemu

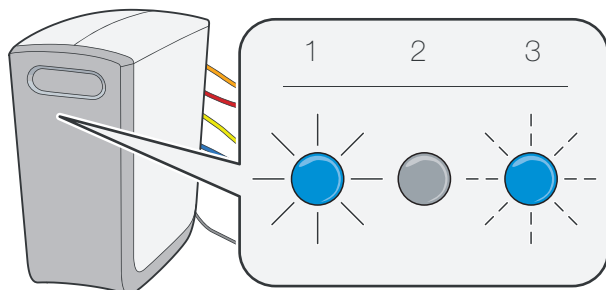


Figure 3. Kontrolka działania systemu

Poz.	Opis
1	Świeci się – urządzenie Cleone działa prawidłowo.
2	Nie świeci się – urządzenie Cleone jest wyłączone. Jeśli włącznik zasilania znajduje się w pozycji „1”, zob. „Rozwiązywanie problemów”.
3	Miga – problem z urządzeniem Cleone. Należy zapoznać się z treścią rozdziału „Rozwiązywanie problemów” lub skontaktować się z dystrybutorem Bluewater.

Elementy wewnętrzne urządzenia Cleone

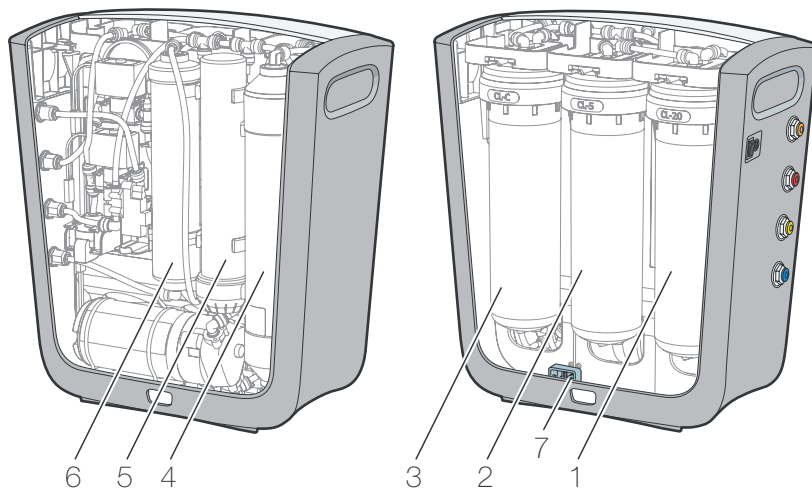


Figure 4. Elementy wewnętrzne urządzenia Cleone

Poz.	Opis	Poz.	Opis
1	Filtr wstępny sedymentacyjny do filtracji zgrubnej (CL-20)	5	Filtr końcowy z węglem aktywnym (CL-Inline-C) Lampa UV (Classic, Balance, Ultra) (PurityPlus)
2	Filtr wstępny sedymentacyjny do filtracji dokładnej (CL-5)	6	Lampa UV Wbudowany filtr z wkładem mineralnym (Balance, PurityPlus) Ta pozycja jest pusta dla wersji Classic.
3	Filtr wstępny z węglem aktywnym (CL-C)	7	Przełącznik systemu ochrony przed przeciekami
4	Membrana do odwróconej osmozy		

SCHEMAT SYSTEMU

Opis systemu

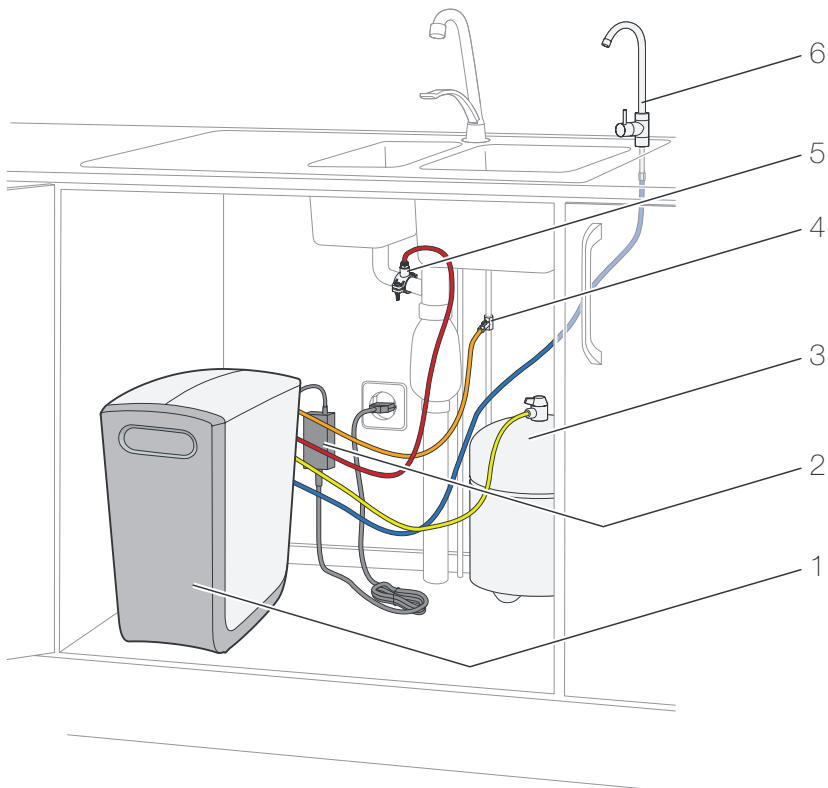


Figure 5. Schemat systemu

Poz.	Opis	Poz.	Opis
1	Urządzenie do oczyszczania wody Cleone	4	Przyłącze wody zasilającej
2	Zasilacz	5	Przyłącze wody spustowej
3	Zbiornik wody czystej	6	Kran do wody czystej

Montaż



W przypadku montażu w USA obowiązują specjalne instrukcje. Patrz dokument Complete User manual.



Zalecamy montaż urządzenia Cleone przez specjalistę rekomendowanego przez autoryzowanego dystrybutora Bluewater. Instrukcje montażu można znaleźć na stronie www.bluewatergroup.com.

Przeznaczenie

Cleone to urządzenie do oczyszczania wody do użytku domowego. Nie należy go używać do innych celów. Używanie tego urządzenia poza gospodarstwem domowym i do celów innych niż oczyszczanie wody do użytku domowego jest uważane za niewłaściwe i automatycznie powoduje utratę gwarancji Cleone.

System filtracji wody

Urządzenie Cleone oczyszcza wodę w trzech krokach: filtracja wstępna, filtracja przez membranę oraz filtracja końcowa. Woda oczyszczona przez urządzenie Cleone jest gromadzona w zbiorniku wody czystej. Gdy zbiornik napelni się, urządzenie Cleone przechodzi w tryb czuwania. Gdy poziom wody czystej w zbiorniku jest niski, urządzenie Cleone otwiera dopływ wody i rozpoczyna jej oczyszczanie.

Przyłącza wody

Z boku urządzenia Cleone znajdują się cztery przyłącza wody. Pierścienie zaciskowe i węże mają różne kolory.

Kolor	Przyłącze	Opis
POMARAŃCZOWY	Woda zasilająca	Przyłącze wody zasilającej służy do doprowadzania wody do urządzenia Cleone.
CZERWONY	Woda spustowa	Woda odprowadzana z urządzenia Cleone do rury spustowej zawiera wypłukane i usunięte zanieczyszczenia.
ŻÓŁTY	Zbiornik wody czystej	Oczyszczona woda jest gromadzona w zbiorniku wody czystej, a następnie doprowadzana do kranu do wody czystej.
NIEBIESKI	Kran do wody czystej	Woda oczyszczona przez urządzenie Cleone jest doprowadzana do kranu do wody czystej.

Inteligentne przepłukiwanie membrany

W trybie czuwania membrana do odwróconej osmozy jest regularnie przepłukiwana wodą. Membrana jest również przepłukiwana przed rozpoczęciem i po zakończeniu cyklu oczyszczania. Dzięki temu użytkownik ma pewność, że proces oczyszczania zawsze rozpoczyna się od dostarczenia świeżej wody zasilającej.

System kontroli jakości wody

Aby zagwarantować wysoką jakość wody, proces oczyszczania jest stale monitorowany. W razie obniżenia jakości wody kontrolka działania systemu zaczyna migać. Jeśli problem nie zostanie rozwiązany, urządzenie Cleone zostanie wyłączone.

System ochrony przed przeciekami

Czujnik umieszczony w dolnej części urządzenia Cleone wykrywa wycieki wody. W przypadku wycieku dopływ wody zasilającej jest zatrzymywany. Do czasu wyeliminowania wycieku nie można uruchomić urządzenia Cleone.

Dane techniczne



Bardziej szczegółowe dane techniczne można znaleźć na stronie www.bluewatergroup.com

Parametr/model	Cleone Classic	Cleone Balance	Cleone Ultra	Cleone PurityPlus
Wymiary szer. x gł. x wys. [mm]	215x380x416	215x380x416	215x380x416	215x380x416
Masa [kg]	10,4	11	11,4	12
Zasilanie	95-240V 50-60Hz	95-240V 50-60Hz	95-240V 50-60Hz	95-240V 50-60Hz
Przepływ oczyszczonej wody [l/dzień (GPD)]	160 (43)	160 (43)	160 (43)	160 (43)

KONSERWACJA

Codzienna konserwacja

Czyszczenie urządzenia Cleone



Nie używać środków chemicznych do czyszczenia powierzchni. Alkohol, benzyna, kwasy organiczne i nieorganiczne oraz substancje chemiczne o odczynie silnie zasadowym (takie jak skoncentrowany detergent do mycia naczyń) mogą spowodować uszkodzenie powierzchni.



Nie używać twardych lub ostrych narzędzi do czyszczenia urządzenia Cleone.

Krok	Czynność
1	Wyczyścić zewnętrzną powierzchnię miękką, wilgotną ściereczką nasączoną słabym roztworem mydła w celu usunięcia kurzu, zanieczyszczeń i brudu.
2	Wytrzeć do sucha miękką, suchą ściereczką.

Regularna konserwacja



Regularna konserwacja pozwala na prawidłowe działanie i długotrwałą eksploatację urządzenia. Czynności konserwacyjne może przeprowadzać wyłącznie przeszkolony i upoważniony personel.



Częstotliwość konserwacji zależy od jakości wody. Jeśli woda zasilająca zawiera dużą ilość rozpuszczonych substancji stałych, konieczna jest częstsza konserwacja.



Instrukcje dotyczące konserwacji można znaleźć w pełnej instrukcji obsługi na stronie www.bluewatergroup.com.

Częstotliwość	Opis
Co 6 miesięcy	Wymienić filtr wstępny sedymentacyjny do filtracji zgrubnej (CL-20)
	Wymienić filtr wstępny sedymentacyjny do filtracji dokładnej (CL-5)
	Wymienić filtr wstępny z węglem aktywnym (CL-C)
	Wymienić wbudowany filtr z wkładem mineralnym
	Przeplukać filtr wstępny z węglem aktywnym
	Sprawdzić ciśnienie i jakość wody zasilającej
Co rok	Wymienić filtr końcowy z węglem aktywnym (CL-Inline-C)
	Wymienić lampę UV
	Przeplukać filtr końcowy z węglem aktywnym
3-5 lat	Wymienić membranę odwróconej osmozy

PL

ROZWIĄZYWANIE PROBLEMÓW

Rozwiązywanie prostych problemów



W przypadku poważniejszych problemów należy zapoznać się z pełną instrukcją obsługi na stronie www.bluewatergroup.com

Objawy	Przyczyna	Rozwiązanie
Z kranu do wody czystej nie płynie woda. Kontrolka działania systemu jest wyłączona.	Urządzenie Cleone nie jest podłączone do zasilania.	Podłączyc urządzenie Cleone do gniazdka elektrycznego i zasilacza. Upewnić się, że kabel zasilacza 24 V DC urządzenia Cleone jest podłączony do gniazdka elektrycznego.
	Urządzenie Cleone nie zostało włączone.	Ustawić włącznik zasilania w pozycji 1.
	Wykryto przeciek we wnętrzu urządzenia. Urządzenie Cleone zostało automatycznie wyłączone.	Skontaktować się z dystrybutorem Bluewater w celu wyeliminowania przecieku i ponownego uruchomienia systemu.
Z kranu do wody czystej nie płynie woda. Kontrolka działania systemu jest włączona.	Urządzenie Cleone zostało zamontowane po raz pierwszy i system nie został jeszcze napełniony wodą.	Poczekać na napełnienie systemu wodą.
	Węże doprowadzające wodę nie są podłączone lub połączenie zostało wykonane nieprawidłowo.	Upewnić się, że połączenia zostały wykonane prawidłowo.
	Nie wykonywano regularnej konserwacji. Filtry wstępne są zapchane.	Skontaktować się z dystrybutorem Bluewater w celu wykonania czynności konserwacyjnych w urządzeniu Cleone.
Z kranu do wody czystej nie płynie woda. Kontrolka działania systemu miga bardzo szybko (naprzemiennie świeci przez 0,1 s i jest wyłączona przez 0,1 s).	Ciśnienie wody zasilającej jest zbyt niskie i system ochrony pompy zatrzymał dopływ wody.	Urządzenie Cleone powróci do normalnej pracy po przywróceniu prawidłowego ciśnienia wody zasilającej.
Z kranu do wody czystej nie płynie woda. Kontrolka działania systemu miga szybko (naprzemiennie świeci przez 0,5 s i jest wyłączona przez 0,5 s).	Urządzenie Cleone zostało wyłączone, ponieważ jakość wody jest zbyt niska.	Skontaktować się z dystrybutorem Bluewater w celu przeprowadzenia serwisowania.
Kontrolka działania systemu miga szybko (naprzemiennie świeci przez 0,5 s i jest wyłączona przez 0,5 s). Z kranu do czystej wody płynie woda.	Pogorszyła się jakość wody.	Można bezpiecznie korzystać z oczyszczonej wody. Aby uzyskać więcej informacji, należy skontaktować się z dystrybutorem Bluewater.
Kontrolka działania systemu miga powoli (naprzemiennie świeci przez 2 s i jest wyłączona przez 2 s).	Konieczna jest wymiana filtrów.	Informacje na temat częstotliwości wymiany filtrów znajdują się w rozdziale "Regularna konserwacja". Wymienić filtry i zresetować kontrolkę filtrów w sposób opisany w dokumencie Complete User manual.
Przepływ wody przez kran do wody czystej jest niski.	Zbiornik wody czystej jest pusty z powodu dużego poboru wody.	Zamontować większy zbiornik lub membranę o większej wydajności.
	Ciśnienie powietrza w zbiorniku wody czystej jest niskie.	Skontaktować się z dystrybutorem Bluewater w celu przywrócenia prawidłowego ciśnienia powietrza w zbiorniku wody czystej.
Zbyt duży hałas podczas oczyszczania wody.	Konieczna jest konserwacja pompy wspomagającej.	Skontaktować się z dystrybutorem Bluewater.

Содержание

БЕЗОПАСНОСТЬ	60
Инструкции по технике безопасности.....	60
Информация по технике безопасности	60
ОБЩЕЕ ОПИСАНИЕ ИЗДЕЛИЯ	61
Внешний вид Cleone.....	61
Внутреннее устройство Cleone.....	62
ОБЗОР СИСТЕМЫ.....	63
Описание системы.....	63
Установка.....	63
Назначение устройства.....	64
Система фильтрации воды.....	64
Интеллектуальная промывка мембраны	64
Система обеспечения качества воды.....	64
Системы защиты от протечки	64
Техническая информация.....	64
ТЕХНИЧЕСКОЕ ОБСЛУЖИВАНИЕ.....	65
Ежедневное техническое обслуживание.....	65
Регулярное техническое обслуживание	65
УСТРАНЕНИЕ НЕИСПРАВНОСТЕЙ	66
Решение простых проблем	66

RU

Отдел обслуживания клиентов

См. “Устранение неисправностей” для устранения мелких неисправностей, прежде чем обращаться за технической поддержкой. Внешняя техническая поддержка может быть платной.

Прежде чем обращаться в компанию Bluewater подготовьте следующие данные (см. паспортную табличку на задней стороне фильтра):

- Модель
- Номер изделия
- Серийный номер

Информация по охране окружающей среды



80% компонентов очистителя воды и его упаковка снабжены этикетками с рекомендациями по их надлежащей утилизации. Очиститель воды работает более эффективно, если он очищает воду в течение более длительного периода. Пример: не наполняйте водой стакан. Вместо стакана используйте кувшин.



Устройства, имеющие данную маркировку, подлежат утилизации через местные специализированные приемные пункты утилизации электрического и электронного оборудования.

Запрещается утилизация данного изделия вместе с обычными бытовыми отходами.

БЕЗОПАСНОСТЬ

Инструкции по технике безопасности

Перед тем как устанавливать и эксплуатировать устройство, ознакомьтесь с информацией по технике безопасности. Выполнение инструкций, изложенных в этом руководстве, позволит предотвратить травмы людей или повреждение оборудования. Это руководство содержит пометки «ВНИМАНИЕ» и «ЗАМЕЧАНИЕ», которые необходимо учитывать для безопасной эксплуатации устройства.



Пометка «ВНИМАНИЕ» указывает на условия, которые могут привести к повреждению оборудования. Выполняйте инструкции и не продолжайте работу, пока не будут выполнены все условия и приняты все необходимые меры.



Пометкой «ЗАМЕЧАНИЕ» отмечена информация, важная для обеспечения безотказной работы и оптимального использования Cleone.

Информация по технике безопасности



Не отсоединяйте внешние водяные трубы и не выполняйте на них никакие работы. Если необходимо отсоединять водяные трубы, обратитесь за помощью к дилеру Bluewater. В чрезвычайной ситуации следуйте инструкциям, изложенным в «Полном руководстве по эксплуатации».



Это устройство может использоваться детьми старше 8 лет. Данное устройство разрешается использовать лицам с ограниченными физическими, сенсорными и умственными возможностями, а также лицам с низким уровнем знаний и опыта, при условии, что они находятся под присмотром или прошли инструктаж по правилам безопасного использования данного устройства и уяснили степень сопряженных с ним опасностей.



Не ремонтируйте и не изменяйте внутренние компоненты Cleone. Это может привести к неправильной работе Cleone или сделает использование устройства опасным.



В качестве источника питания для Cleone используйте только оригинальный адаптер питания Bluewater. Использование другого адаптера питания может сделать использование Cleone опасным. Кроме того, это может привести к повреждению внутренних частей Cleone. Не используйте шнур при наличии на нем видимых признаков повреждения. Во избежание опасности поврежденный шнур необходимо заменить.



Сервис, техническое обслуживание и ремонт Cleone должны выполняться только авторизованным персоналом Bluewater. Используйте только оригинальные запасные картриджи и детали Bluewater.



Не ставьте Cleone в воду. Для чистки поверхности используйте влажную ткань и слабый мыльный раствор. Не используйте химические средства для чистки поверхности Cleone. Спирт, бензин, органические и неорганические кислоты, сильные щелочи (например, концентрированные средства для мытья посуды) могут повредить поверхность Cleone.



Не кладите на Cleone какие-либо предметы.



Не используйте для подачи в Cleone воду, которая микробиологически загрязнена или микробиологическое качество которой не подтверждено.

ОБЩЕЕ ОПИСАНИЕ ИЗДЕЛИЯ

Модель	Cleone Classic	Cleone Balance	Cleone Ultra	Cleone PurityPlus
УФ-лампа			✓	✓
Встроенный минеральный фильтр		✓		✓

Внешний вид Cleone

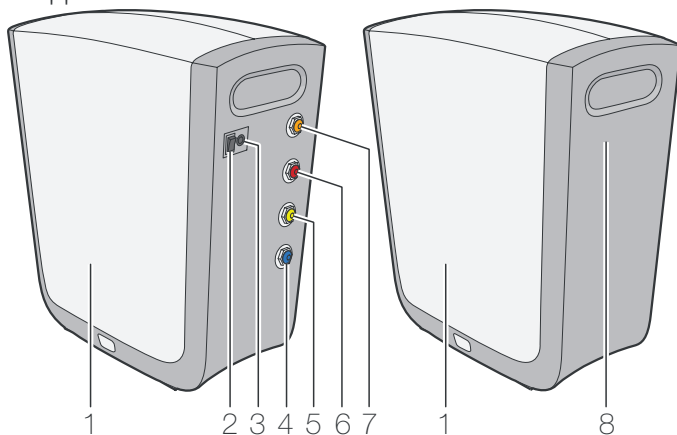


Figure 1. Внешний вид Cleone

№	Описание	№	Описание
1	Боковая крышка	5	Разъем резервуара чистой воды — ЖЕЛТЫЙ
2	Выключатель питания	6	Разъем для слива воды — КРАСНЫЙ
3	Разъем для подключения кабеля питания	7	Разъем входящей воды — ОРАНЖЕВЫЙ
4	Разъем для подключения крана чистой воды — СИНИЙ	8	Индикатор работы системы

RU

Выключатель питания

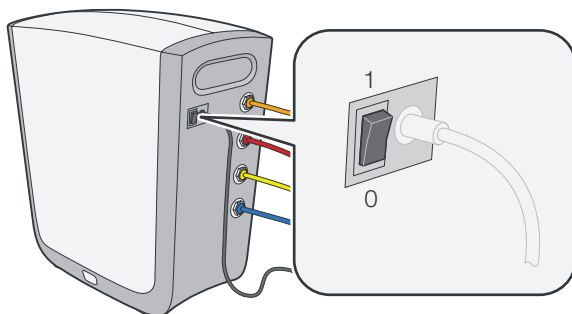


Figure 2. Выключатель питания

Положение	Описание
1	Cleone работает. Очистка воды может выполняться.
0	Cleone не работает. Очистка воды не производится. Вода из резервуара чистой воды может использоваться, пока резервуар не опустеет.

Индикатор работы системы

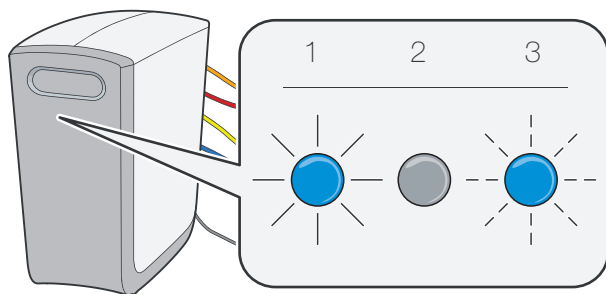


Figure 3. Индикатор работы системы

№	Описание
1	On (Горит) — Cleone работает правильно.
2	Off (Не горит) — Cleone не работает. Если выключатель питания находится в положении «1», см. «Устранение неисправностей».
3	Мигает — имеется проблема с Cleone. См. раздел «Устранение неисправностей» или обратитесь к дилеру Bluewater.

Внутреннее устройство Cleone

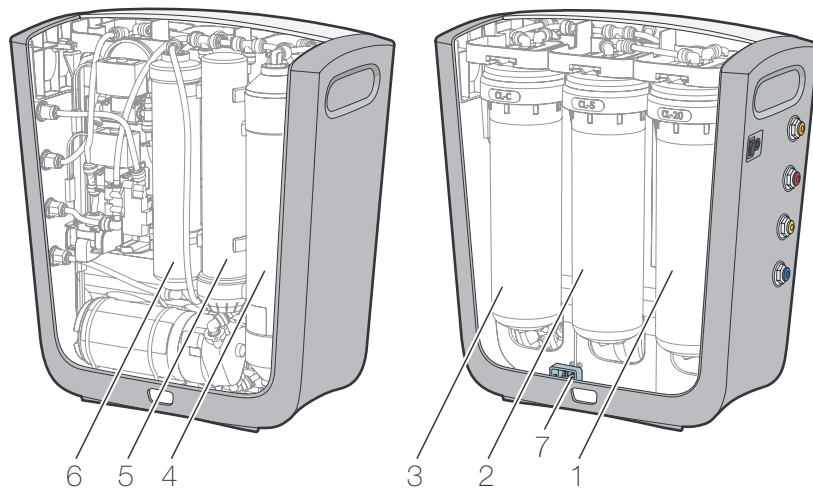


Figure 4. Внутреннее устройство Cleone

№	Описание	№	Описание
1	Предварительный фильтр грубой очистки (CL-20)	5	Постфильтр с активированным углем (CL-Inline-C) (Classic, Balance, Ultra) УФ-лампа (PurityPlus)
2	Предварительный фильтр тонкой очистки (CL-5)	6	УФ-лампа (Ultra) Встроенный минеральный фильтр (Balance, PurityPlus) Для модели Classic эта позиция остается пустой.
3	Предварительный фильтр с активированным углем (CL-C)	7	Переключатель системы защиты от протечки
4	Обратноосмотическая мембрана		

ОБЗОР СИСТЕМЫ

Описание системы

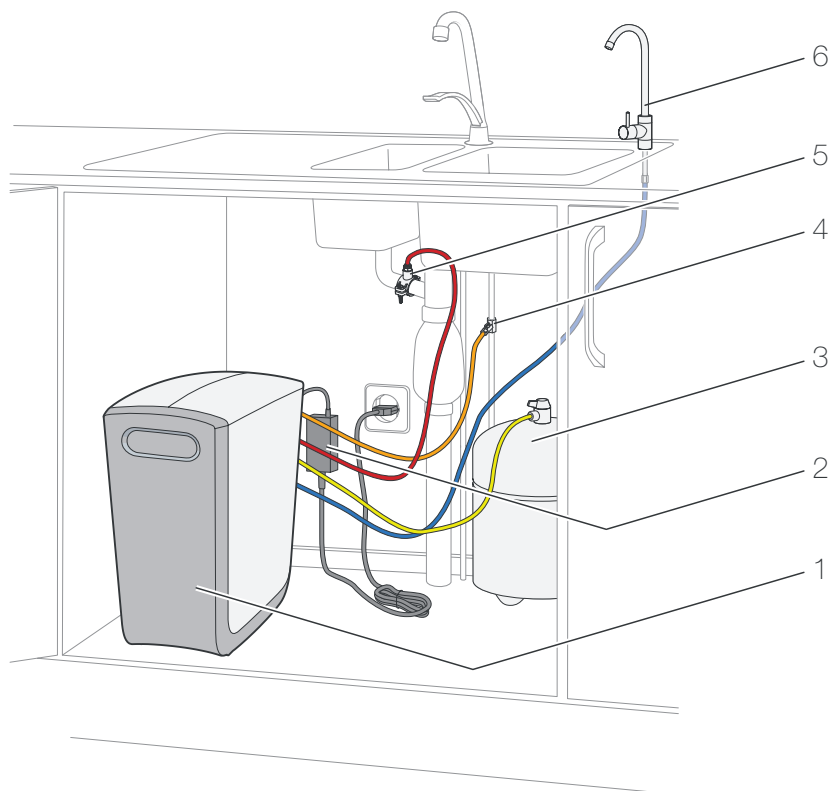


Figure 5. Обзор системы

№	Описание	№	Описание
1	Очиститель воды Cleone	4	Разъем подачи воды, подлежащей очистке
2	Адаптер питания	5	Разъем сточной воды
3	Резервуар чистой воды	6	Кран чистой воды

Установка



Для установки в США требуются специальные инструкции. См. «Complete User manual»



Мы рекомендуем доверять установку Cleone только специалисту, рекомендованному авторизованным дилером Bluewater. Инструкции по установке можно найти на www.bluewatergroup.com.

Назначение устройства

Cleone представляет собой очиститель воды для домашнего использования. Не используйте его для любой другой цели. Любое применение помимо домашнего использования в крытом помещении и в целях иных, чем очистка воды для домашнего использования, считается нецелевым и автоматически аннулирует гарантию Cleone.

Система фильтрации воды

Cleone очищает воду в три этапа: предварительная фильтрация, мембранная фильтрация и постфильтрация. Вода, очищенная с помощью Cleone, собирается в резервуаре чистой воды. Когда резервуар заполняется, Cleone переходит в режим ожидания. При достижении низкого уровня воды в резервуаре Cleone открывает подачу воды на входе и начинает процесс очистки.

Разъемы для подключения водяных трубопроводов

На соединительной части Cleone расположены четыре разъема для подключения водяных труб. Кольца разъемов и трубы имеют цветовую маркировку.

Цвет	Разъем	Описание
ОРАНЖЕВЫЙ	Вода, подаваемая на очистку	Этот разъем служит для подачи воды на очистку в Cleone.
КРАСНЫЙ	Сточная вода	Вода, сливаемая из Cleone в трубу канализации, содержит промывочную воду и удаленные загрязнения.
ЖЕЛТЫЙ	Резервуар чистой воды	Чистая вода собирается в резервуаре чистой воды, затем подается в кран чистой воды.
СИНИЙ	Кран чистой воды	Очищенная вода из Cleone поступает в кран чистой воды.

Интеллектуальная промывка мембраны

В режиме ожидания обратноосмотическая мембрана регулярно промывается водой. Кроме того, мембрана промывается перед началом и по окончании цикла очистки. Это гарантирует, что в начале процесса очистки на фильтр всегда будет поступать свежая вода.

Система обеспечения качества воды

Процесс очистки находится под постоянным контролем, что способствует обеспечению высокого качества воды. В случае снижения качества воды начинает мигать индикатор работы системы. Если неисправность не исчезает, остановите Cleone.

Системы защиты от протечки

Датчик в нижней части Cleone обнаруживает утечку воды. Если обнаружена утечка, подача воды на очистку останавливается. Пока утечка не будет устранена, запустить Cleone не удастся.

Техническая информация



Для получения более подробной технической информации посетите сайт www.bluewatergroup.com

Параметр/модель	Cleone Classic	Cleone Balance	Cleone Ultra	Cleone PurityPlus
Размер ШхГхВ [мм]	215×380×416	215×380×416	215×380×416	215×380×416
Масса [кг]	10,4	11	11,4	12
Источник питания	95-240В 50-60Гц	95-240В 50-60Гц	95-240В 50-60Гц	95-240В 50-60Гц
Объем очищенной воды [л/сутки (галлонов/сутки)]	160 (43)	160 (43)	160 (43)	160 (43)

ТЕХНИЧЕСКОЕ ОБСЛУЖИВАНИЕ

Ежедневное техническое обслуживание

Чистка Cleone



Не используйте химические средства для очистки поверхностей. Спирт, бензин, органические и неорганические кислоты, сильные щелочи (например, концентрированные средства для мытья посуды) могут повредить поверхности.



Не используйте при чистке Cleone твердые или острые инструменты.

Шаг	Действие
1	С помощью мягкой влажной ткани и слабого мыльного раствора очистите внешнюю поверхность, чтобы удалить пыль, пятна и грязь.
2	Удалите остатки влаги мягкой сухой тканью.

Регулярное техническое обслуживание



Регулярное техническое обслуживание имеет важное значение для правильного функционирования и обеспечения длительного срока службы устройства. Техническое обслуживание должны проводить только обученные и авторизованные специалисты.



Частота проведения обслуживания зависит от качества воды. Если вода, поступающая на очистку, содержит высокие уровни взвешенных веществ, требуется более частое техническое обслуживание.



Инструкции по проведению технического обслуживания см. в «Complete User manual» на сайте www.bluewatergroup.com

Частота	Описание
6 месяцев	Замена предварительного фильтра грубой очистки (CL-20)
	Замена предварительного фильтра тонкой очистки (CL-5)
	Замена предварительного фильтра с активированным углем (CL-C)
	Замена встроенного минерального фильтра.
	Промывка предварительного фильтра с активированным углем
	Проверка давления и качество воды на входе
1 год	Замена постфильтра с активированным углем (CL-Inline-C)
	Замена ультрафиолетовой лампы
	Промывка постфильтра с активированным углем
3-5 лет	Замена обратноосмотической мембраны

RU

УСТРАНЕНИЕ НЕИСПРАВНОСТЕЙ

Решение простых проблем



В случае более серьезных проблем см. «Complete User manual» на сайте www.bluewatergroup.com

Проблема	Причина	Решение
Не течет вода из крана чистой воды. Индикатор работы системы не горит.	Cleone не подключен к источнику питания.	Подключите Cleone к электрической сети и адаптеру питания. Проверьте, подключены ли кабель 24 В пост. тока от адаптера питания к розетке на Cleone.
	Cleone не включается.	Установите выключатель питания в положение 1.
	Была обнаружена внутренняя протечка. Устройство Cleone было автоматически остановлено.	Обратитесь к дилеру Bluewater для ремонта протечки и перезагрузки системы.
Не течет вода из крана чистой воды. Индикатор работы системы горит.	Монтаж Cleone закончен недавно и система не заполнена водой.	Дождитесь, пока система заполнится водой.
	Водяные трубы не подключены или подключены неправильно.	Убедитесь, что все соединения выполнены правильно.
	Не было проведено регулярное техническое обслуживание. Фильтры предварительной очистки забыты.	Обратитесь к дилеру Bluewater для проведения технического обслуживания Cleone.
Не течет вода из крана чистой воды. Индикатор работы системы мигает с очень высокой частотой (0,1 секунды ВКЛЮЧЕН, 0,1 секунды ВЫКЛЮЧЕН).	Давление воды, подаваемой на очистку, слишком низкое и система защиты насоса прекратила подачу воды.	Cleone начнет работать в обычном режиме, когда давление подачи воды восстановится.
Не течет вода из крана чистой воды. Индикатор работы системы мигает с высокой частотой (0,5 секунды ВКЛЮЧЕН, 0,5 секунды ВЫКЛЮЧЕН).	Установка Cleone остановлена из-за низкого качества воды.	Обратитесь к дилеру Bluewater по вопросу обслуживания.
Индикатор работы системы мигает с высокой частотой (0,5 секунды ВКЛЮЧЕН, 0,5 секунды ВЫКЛЮЧЕН). Поступает вода из крана чистой воды.	Низкое качество воды.	Можно безопасно использовать очищенную воду. Обратитесь к дилеру Bluewater за дополнительной информацией.
Индикатор работы системы мигает с низкой частотой (2 секунды ВКЛЮЧЕН, 2 секунды ВЫКЛЮЧЕН).	Требуется замена фильтров.	См. раздел "Регулярное техническое обслуживание", где приводится информация о сроках замены фильтров. Замените фильтры и выполните сброс индикатора фильтра, как описано в «Complete User manual».
Слабый напор воды из крана чистой воды.	Резервуар чистой воды пуст из-за высокого потребления воды.	Установите резервуар большего объема или более производительную мембрану.
	Низкое давление воздуха в резервуаре чистой воды.	Обратитесь к дилеру Bluewater для восстановления правильного давления воздуха в резервуаре чистой воды.
Слишком сильный и длительный шум во время очистки воды.	Необходимо провести техническое обслуживание бустерного насоса.	Обратитесь к дилеру Bluewater.

Innehåll

SÄKERHET	68
Säkerhetsanvisningar.....	68
Säkerhetsinformation	68
PRODUKTÖVERSIKT	69
Cleones utsida	69
Cleones insida	70
SYSTEMÖVERSIKT	71
Systembeskrivning	71
Installation	71
Avsedd användning.....	72
Vattenfiltreringssystem	72
Intelligent membranspolning.....	72
Vattenkvalitetssystem.....	72
Läckskyddssystem.....	72
Teknisk information	72
UNDERHÅLL	73
Dagligt underhåll.....	73
Regelbundet underhåll.....	73
FELSÖKNING.....	74
Att lösa mindre problem.....	74

Kundtjänst

Information om hur du själv kan lösa mindre problem innan du ringer kundtjänst finns på "Felsökning". Om du behöver extern service kan det kosta pengar.

När du ringer Bluewater, ha följande uppgifter tillgängliga (finns på märkskytten bakom filtret):

- Modell
- Produktnummer
- Serienummer

Allmän miljöinformation



80 % av vattenrenarens delar och förpackningar har etiketter som hjälper dig att återvinna och kassera den på rätt sätt. Vattenrenaren är mer effektiv när den får rena vattnet under längre perioder. Exempel: fyll inte ett glas med vatten. Fyll en tillbringare i stället.



Enheter med denna symbol måste lämnas in på en anläggning som tar emot kasserad elektrisk och elektronisk utrustning. Produkten får inte kastas tillsammans med vanligt hushållsavfall.

SE

SÄKERHET

Säkerhetsanvisningar

Innan du installerar eller använder apparaten måste du ha läst igenom detta kapitel. Följ instruktionerna i denna handbok för att förhindra personskador och skador på apparaten. I denna handbok finns signalord av typen FÖRSIKTIGHET och OBS!. Dessa och tillhörande instruktioner ska beaktas för att användningen av apparaten ska vara så säker som möjligt.



FÖRSIKTIGHET signalerar tillstånd som kan leda till skador på apparaten. Följ instruktionerna och fortsätt inte använda apparaten förrän alla sådana tillstånd har åtgärdats och godkänts.



OBS! signalerar information som är viktig för att Cleone ska kunna användas på ett problemfritt och optimalt sätt.

Säkerhetsinformation



Du får inte koppla från de externa vattenslangarna eller utföra någon typ av arbete på dem. Be din Bluewater-återförsäljare om hjälp om du behöver koppla från vattenslangar. Om en nödsituation uppstår ska du följa instruktionerna i den kompletta användarhandboken.



Apparaten får användas av barn som är äldre än 8 år. Den får även användas av personer med nedsatt fysisk, sensorisk eller mental förmåga eller brist på kunskap och erfarenhet, förutsatt att de får hjälp eller instruktioner för att kunna använda apparaten på ett säkert sätt och förutsatt att de förstår vilka risker användningen innebär.



Du får inte reparera eller ändra komponenter inuti Cleone. Det kan leda till att Cleone slutar fungera som den ska eller blir farlig att använda.



Du får bara använda originalströmadaptern från Bluewater som strömkälla till din Cleone. Om du använder en annan strömadapter kan det bli farligt att använda Cleone. Det kan även leda till skador på komponenter inuti Cleone. Använd inte kabeln om den är synbart skadad. Om elkabeln är skadad bör den bytas ut för att förhindra fara.



Endast behörig Bluewater-personal får utföra service, underhåll och reparationer på Cleone. När du byter patron eller andra delar måste du använda originaldelar från Bluewater.



Sänk inte ned Cleone i vatten. Rengör dess utsida med en fuktig trasa och milt tvålatten. Använd inte kemikalier för att rengöra Cleones utsida. Alkohol, bensin, organiska eller oorganiska syror och starkt basiska kemikalier (som t.ex. diskmedel i koncentrerad form) orsakar skador på Cleones utsida.



Undvik att placera/förvara föremål ovanpå Cleone.



Använd inte Cleone för att behandla matarvatten som utgör en mikrobiologisk risk eller vars mikrobiologiska kvalitet inte är känd.

PRODUKTÖVERSIKT

Modell	Cleone Classic	Cleone Balance	Cleone Ultra	Cleone PurityPlus
UV-lampa			✓	✓
Inbyggt mineralfilter		✓		✓

Cleones utsida

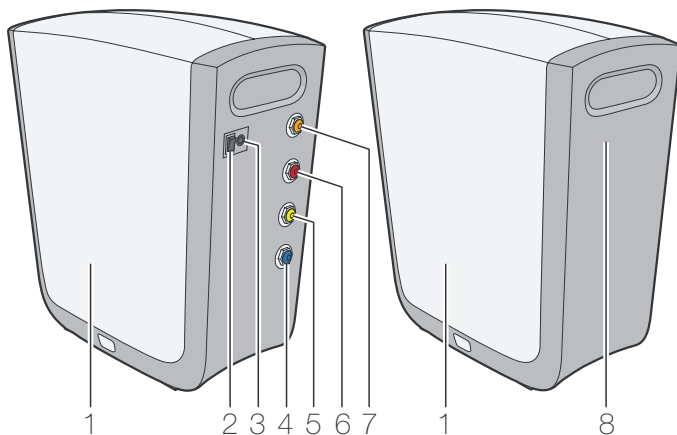


Figure 1. Cleones utsida

Läge	Beskrivning	Läge	Beskrivning
1	Sidokåpa	5	Anslutning för renvattentank – GUL
2	Strömbrytare	6	Anslutning för avloppsvatten – RÖD
3	Elanslutning	7	Anslutning för inloppsvatten – ORANGE
4	Anslutning för renvattenkran – BLÅ	8	Systemindikator

Strömbrytare

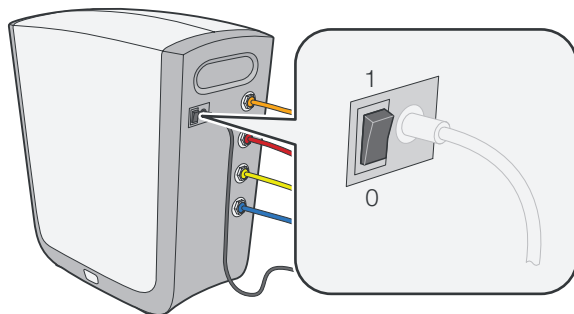


Figure 2. Strömbrytare

Läge	Beskrivning
1	Cleone har startats. Vattnet kan nu renas.
0	Cleone har stoppats. Inget vatten renas. Vatten i renvattentanken kan användas tills tanken är tom.

Systemindikator

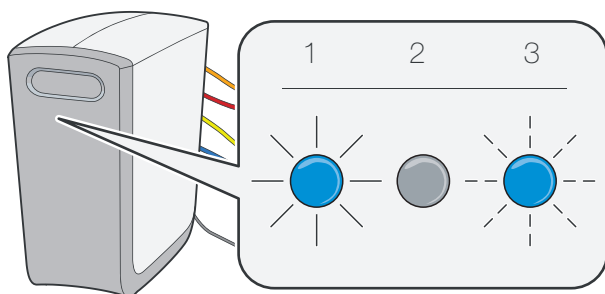


Figure 3. Systemindikator

Läge	Beskrivning
1	På – Cleone fungerar som den ska.
2	Av – Cleone är avstängd. Om strömbrytaren är i läge "1" – se "Felsökning".
3	Blinkar – det har uppstått ett problem med Cleone. Se "Felsökning" eller kontakta din Bluewater-återförsäljare.

Cleones insida

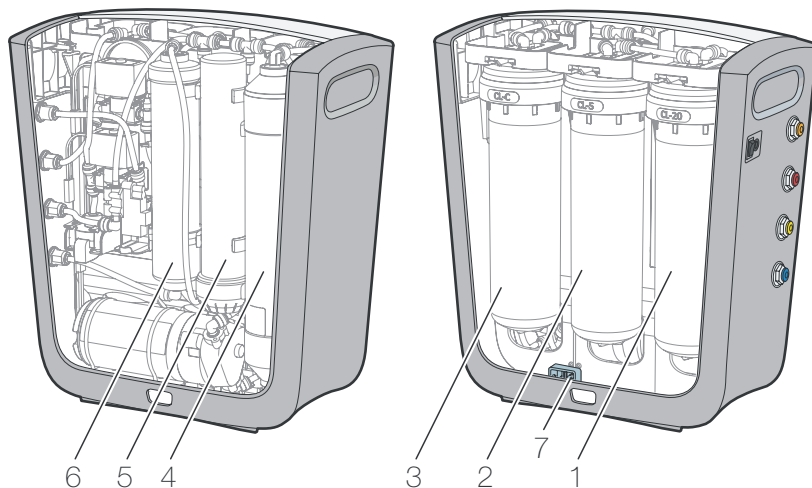


Figure 4. Cleones insida

Läge	Beskrivning	Läge	Beskrivning
1	Förfilter för grovsediment (CL-20)	5	Efterfilter med aktivt kol (CL-Inline-C) UV-lampa (Classic, Balance, Ultra) (PurityPlus)
2	Förfilter för finsediment (CL-5)	6	UV-lampa Inbyggt mineralfilter Läget lämnas tomt för Classic. (Ultra) (Balance, PurityPlus)
3	Förfilter med aktivt kol (CL-C)	7	Brytare för läckskyddssystem
4	Membran – omvänd osmos		

SYSTEMÖVERSIKT

Systembeskrivning

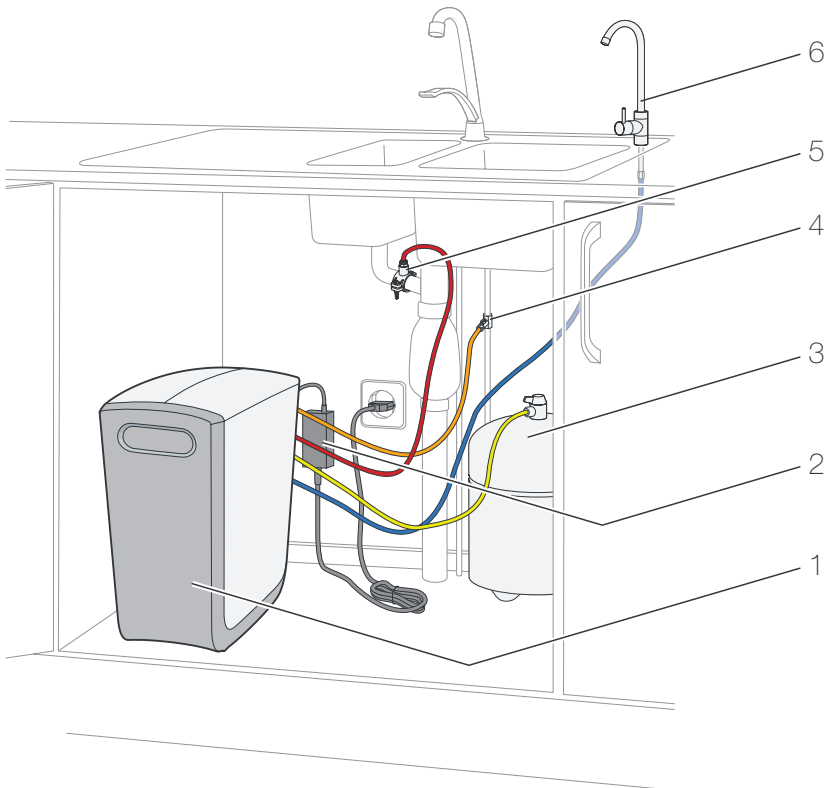


Figure 5. Systemöversikt

Läge	Beskrivning	Läge	Beskrivning
1	Cleone vattenrenare	4	Matarvattenanslutning
2	Strömadapter	5	Anslutning för avloppsvatten
3	Renvattentank	6	Renvattenkran

Installation



För installation i USA krävs särskilda installationsanvisningar. Se Complete User manual.



Vi rekommenderar att Cleone installeras av en fackman som har rekommenderats av en auktoriserad Bluewater-återförsäljare. Installationsanvisningar finns på www.bluewatergroup.com

SE

Avsedd användning

Cleone är en vattenrenare för hemmabruk. Den får inte användas för några andra ändamål. Om den används någon annanstans än inomhus i hemmamiljö eller för andra ändamål än att rena vatten för hushållsbruk anses det som felaktigt bruk, vilket innebär att din Cleone-garanti automatiskt upphör att gälla.

Vattenfiltreringssystem

Cleone renar vatten i tre steg: förfiltrering, membranfiltrering och efterfiltrering. Renat vatten från Cleone samlas upp i renavattentanken. När tanken är full försätts Cleone i viloläge. När vattennivån i renavattentanken är låg öppnar Cleone matarvattentillförseln och börjar rena mer vatten.

Vattenanslutningar

Det finns fyra vattenanslutningar på anslutningssidan av Cleone. Låsringarna och slangarna är färgkodade.

Färg	Anslutning	Beskrivning
ORANGE	Matarvatten	Matarvattenanslutningen tillför matarvatten till Cleone.
RÖD	Avloppsvatten	Avloppsvatten, som leds från Cleone till avloppsröret, innehåller bortspolade kontamineringspartiklar.
GUL	Renavattentank	Renat vatten samlas i renavattentanken innan det förs vidare till renavattentanken.
BLÅ	Renavattentank	Renat vatten från Cleone till renavattentanken.

Intelligent membranspolning

Membranet för omvänd osmos spolas regelbundet med vatten i viloläget. Membranet spolas också före och efter reningscykeln. Detta säkerställer att reningsprocessen alltid påbörjas med färskt matarvatten.

Vattenkvalitetssystem

Reningsprocessen övervakas kontinuerligt för att hög vattenkvalitet ska kunna säkerställas. Om vattenkvaliteten försämras blinkar systemindikatorn. Om problemet kvarstår stannar Cleone.

Läckskyddssystem

En sensor i Cleones nederdel känner av vattenläckor. Om en läcka uppstår stoppas matarvattentillförseln. Cleone kan sedan inte startas igen förrän läckan har åtgärdats.

Teknisk information



Mer detaljerad teknisk information finns på www.bluewatergroup.com

Parameter/modell	Cleone Classic	Cleone Balance	Cleone Ultra	Cleone PurityPlus
Storlek BxDxH [mm]	215x380x416	215x380x416	215x380x416	215x380x416
Vikt [kg]	10,4	11	11,4	12
Strömförsörjning	95-240V 50-60Hz	95-240V 50-60Hz	95-240V 50-60Hz	95-240V 50-60Hz
Flödes hastighet för renat vatten [l/dag (GPD)]	160 (43)	160 (43)	160 (43)	160 (43)

UNDERHÅLL

Dagligt underhåll

Rengöra Cleone



Använd inte kemikalier för att rengöra Cleones utsida. Alkohol, bensin, organiska och oorganiska syror och starkt basiska kemikalier (som t.ex. diskmedel i koncentrerad form) orsakar skador på utsidan.



Använd inga hårda eller vassa verktyg för att rengöra Cleone.

Steg	Åtgärd
1	Rengör utsidan med en mjuk, fuktig trasa och mildt tvålsvatten för att ta bort damm, fläckar och smuts.
2	Torka av med en mjuk, torr trasa.

Regelbundet underhåll



Regelbundet underhåll är viktigt för att apparaten ska fungera på rätt sätt och under lång tid. Endast utbildad och behörig personal får utföra underhåll.



Hur ofta underhåll behöver utföras beror på vattenkvaliteten. Underhåll enheten oftare om matarvattnet innehåller höga halter av lösta fasta partiklar.



Underhållinstruktioner finns i Complete User manual på www.bluewatergroup.com

Frekvens	Beskrivning
6 månader	Byt ut förfiltret för grovsediment (CL-20)
	Byt ut förfiltret för finsediment (CL-5)
	Byt ut förfiltret med aktivt kol (CL-C)
	Byt ut det inbyggda mineralfiltret
	Spola förfiltret med aktivt kol
	Kontrollera matarvattnets tryck och kvalitet
1 år	Byt ut efterfiltret med aktivt kol (CL-Inline-C)
	Byt ut UV-lampan
	Spola efterfiltret med aktivt kol
3-5 år	Byt ut membran för omvänd osmos

SE

FELSÖKNING

Att lösa mindre problem



För mer komplicerade problem – se Complete User manual på www.bluewatergroup.com

Symptom	Orsak	Lösning
Det kommer inget vatten ur renvattenkranen. Systemindikatorn är släckt.	Cleone är inte ansluten till någon strömkälla.	Anslut Cleone till en strömkälla och till strömadaptern. Se till att strömadapters 24 VDC-kabel är ansluten till eluttaget på Cleone.
	Cleone har inte startats.	Ställ strömbrytaren i läge 1.
	En läcka har upptäckts inne i Cleone. Cleone har därför stoppats automatiskt.	Kontakta din Bluewater-återförsäljare för att få hjälp med att reparera läckan och återställa systemet.
Det kommer inget vatten ur renvattenkranen. Systemindikatorn är tänd.	Cleone har installerats för första gången och systemet är inte vattenfyllt.	Vänta tills systemet är vattenfyllt.
	Vattenslangarna är inte anslutna, eller så har anslutningen utförts på ett felaktigt sätt.	Se till att anslutningarna utförs på rätt sätt.
	Regelbundet underhåll har inte utförts. Förfiltren är igensatta.	Kontakta din Bluewater-återförsäljare och be dem att utföra underhåll på Cleone.
Det kommer inget vatten ur renvattenkranen. Systemindikatorn blinkar med hög intensitet (0,1 sek PÅ, 0,1 sek AV).	Matarvattentrycket är för lågt och pumpskyddssystemet har stoppat matarvattentillförseln.	Cleone börjar fungera som vanligt igen så snart matarvattentrycket återkommer.
Det kommer inget vatten ur renvattenkranen. Systemindikatorn blinkar snabbt (0,5 sek PÅ, 0,5 sek AV).	Cleone har stannat eftersom vattenkvaliteten är dålig.	Kontakta din Bluewater-återförsäljare för service.
Systemindikatorn blinkar snabbt (0,5 sek PÅ, 0,5 sek AV). Det kommer vatten ur renvattenkranen.	Vattenkvaliteten har försämrats.	Det är säkert att använda det renade vattnet. Kontakta din Bluewater-återförsäljare för mer information.
Systemindikatorn blinkar långsamt (2 sek PÅ, 2 sek AV).	Filtern måste bytas ut.	Se "Regelbundet underhåll" för information om när filtern ska bytas ut. Byt ut filtern och återställ filterindikatorn i enlighet med informationen i Complete User manual.
Låg flödes hastighet från renvattenkranen.	Renvattentanken är tom på grund av stor vattenförbrukning.	Uppgradera till en större tank eller till ett membran med hög kapacitet.
	Lågt lufttryck i renvattentanken.	Kontakta din Bluewater-återförsäljare för hjälp med att återställa rätt lufttryck i renvattentanken.
Ett alltför starkt, kontinuerligt buller hörs i samband med vattenreningen.	Underhåll behöver utföras på boosterpumpen.	Kontakta din Bluewater-återförsäljare.

Sisältö

TURVALLISUUS	76
Turvallisuusohjeet	76
Turvallisuustiedot	76
TUOTEKATSAUS.....	77
Cleone ulkopuolelta.....	77
Cleone sisäpuolelta.....	78
JÄRJESTELMÄKATSAUS.....	79
Järjestelmän kuvaus	79
Asennus	79
Käyttötarkoitus	80
Vedensuodatusjärjestelmä	80
Älykäs kalvohuuhtelu	80
Vedenlaatujärjestelmä	80
Vuotosuojausjärjestelmä	80
Tekniset tiedot	80
HUOLTO	81
Jokapäiväinen huolto	81
Säännöllinen huolto	81
VIANMÄÄRITYS	82
Yksinkertaisten ongelmien ratkaiseminen	82

Asiakaspalvelu

Katso kohdasta "Vianmääritys" apua pienten ongelmien ratkaisemiseen, ennen kuin otat yhteyttä huoltoon. Jos tarvitset ulkopuolista huoltoapua, se ei ole välttämättä ilmaista.

Varaa seuraavat tiedot (ne näkyvät suodattimen takana olevassa tyyppikilvessä) esille soittaessasi Bluewaterille:

- Malli
- Tuotenumero
- Sarjanumero

FI

Ympäristötiedot



80 %:ssa vedenpuhdistuslaitteen osista ja sen pakkauksessa on merkintä, joka auttaa kierrättämään ja hävittämään ne oikein. Vedenpuhdistuslaite on tehokkaampi, kun se puhdistaa vettä pidempinä jaksoina. Esimerkki: älä täytä lasia vedellä. Täytä sen sijaan kannu.



Tällä symbolilla merkityt laitteet on toimitettava paikalliseen sähkö- ja elektroniikkalaitteiden kierrätyspisteeseen. Tämän tuotteen voi hävittää normaalin kotitalousjätteen mukana.

TURVALLISUUS

Turvallisuusohjeet

Ennen kuin asennat laitteen tai käytät sitä, sinun on luettava turvallisuustiedot. Noudata tämän käsikirjan ohjeita välttääksesi loukkaantumiset tai laitteen vaurioitumisen. Tämä käsikirja sisältää VAROITUKSIA ja HUOMAUTUKSIA, jotka koskevat laitteen turvallista käyttöä.



TÄRKEÄÄ-merkintä viittaa tilanteisiin, joista voi aiheutua vahinkoa laitteelle. Noudata ohjeita äläkä jatka, ennen kuin kaikki ehdot on hyväksytyt ja toimittu niiden mukaan.



Huomautus viittaa tärkeisiin tietoihin pyrittäessä Cleonen ongelmattomaan ja optimaaliseen käyttöön.

Turvallisuustiedot



Älä irrota ulkopuolisia vesiputkia äläkä tee niihin muutoksia. Pyydä apua Bluewater-jälleenmyyjältäsi, jos vesiputkia on irrotettava. Hätätilanteessa noudata täydellisen käyttöohjeen ohjeita.



Tätä laitetta saavat käyttää 8 vuotta täyttäneet henkilöt. Sitä saavat käyttää henkilöt, joiden fyysiset, aistilliset tai henkiset kyvyt ovat heikentyneet tai jotka eivät ole käyttäneet laitetta tai tunne sitä vain, jos heidät opastetaan laitteen turvalliseen käyttöön ja jos he ymmärtävät laitteen käyttöön liittyvät vaarat.



Älä korjaa tai muuta Cleonen sisäisiä osia. Se voisi johtaa Cleonen virheelliseen toimintaan tai tehdä sen käytöstä vaarallista.



Käytä Cleone-laitteesi virtalähteenä ainoastaan alkuperäistä Bluewater-muuntajaa. Erilaisen muuntajan käyttö voi tehdä Cleonen käytöstä vaarallista. Se voi myös vahingoittaa Cleonen sisäisiä osia. Älä käytä johtoa, jos siinä on näkyviä merkkejä vaurioita. Jos virtajohto on vaurioitunut, vaihda se vaaratilanteiden välttämiseksi.



Ainoastaan valtuutettu Bluewaterin henkilökunta saa tehdä Cleonen huolto-, kunnossapito- ja korjaustöitä. Käytä ainoastaan alkuperäisiä Bluewater-varaputruunoita ja -osia.



Älä laita Cleone-laitetta veteen. Puhdista pinta kostealla liinalla ja miedolla saippualliuoksella. Älä käytä kemikaaleja Cleonen pinnan puhdistamiseen. Alkoholi, bensiini, orgaaniset ja epäorgaaniset hapot, vahvat peruskemikaalit (kuten astianpesuainetiivist) vaurioittavat Cleonen pintaa.



Älä laita esineitä Cleonen päälle tai pidä niitä siinä.



Älä käytä Cleone-laitetta mikrobiologisesti vaaralliseen tuloveteen tai veteen, jonka mikrobiologinen laatu ei ole tiedossa.

TUOTEKATSAUS

Malli	Cleone Classic	Cleone Balance	Cleone Ultra	Cleone PurityPlus
UV-lamppu			✓	✓
Integroitu mineraalisuodatin		✓		✓

Cleone ulkopuolelta

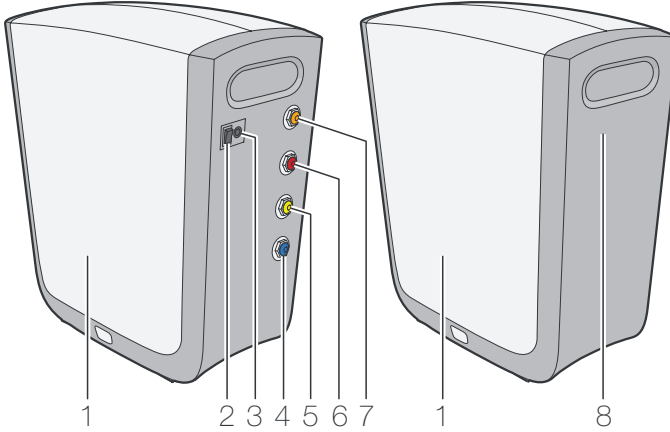


Figure 1. Cleone ulkopuolelta

Nro	Kuvaus	Nro	Kuvaus
1	Sivusuojapelti	5	Puhdasvesisäiliön liitin - KELTAINEN
2	Virtakatkaisin	6	Poistovesiliitin - PUNAINEN
3	Sähköliitäntä	7	Tulovesiliitin - ORANSSI
4	Puhdasvesihanavan liitin - SININEN	8	Järjestelmän toiminnan ilmaisin

Virtakatkaisin

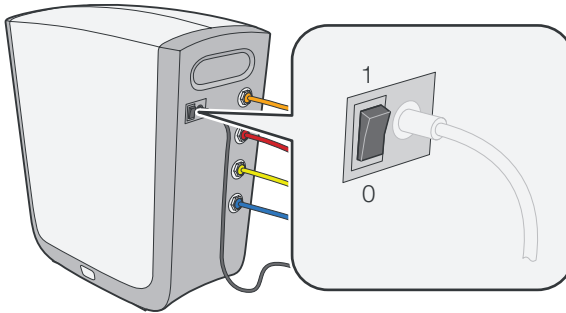


Figure 2. Virtakatkaisin

Numero	Kuvaus
1	Cleone on käynnistetty. Vettä voidaan puhdistaa.
0	Cleone on sammutettu. Vettä ei puhdisteta. Puhdasvesisäiliöstä tulevaa vettä voidaan käyttää, kunnes säiliö on tyhjä.

Järjestelmän toiminnan ilmaisin

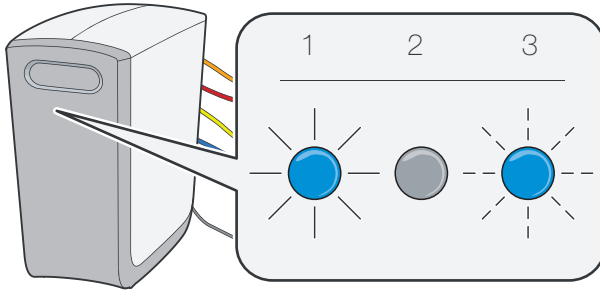


Figure 3. Järjestelmän toiminnan ilmaisin

Nro	Kuvaus
1	Päätilä – Cleone toimii oikein.
2	Pois päätilä – Cleone on sammutettu. Jos virtakatkaisin on kohdassa "1", katso "Vianmääritys".
3	Vilkkuu – Cleone-laitteessa on ongelma. Katso kohdasta "Vianmääritys" tai ota yhteyttä Bluewaterin jälleenmyyjään.

Cleone sisäpuolelta

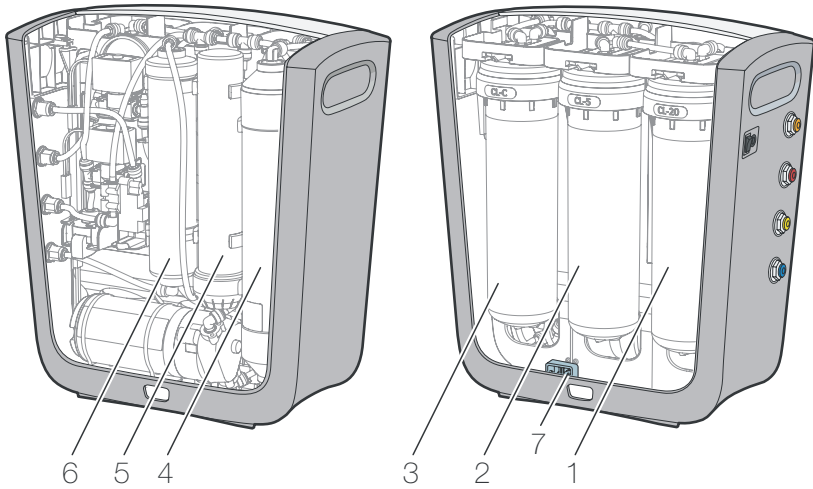


Figure 4. Cleone sisäpuolelta

Nro	Kuvaus	Nro	Kuvaus
1	Karkean sedimentin esisuodatin (CL-20)	5	Aktiivihiihiäksisuodatin (CL-Inline-C) UV-lamppu
2	Hienon sedimentin esisuodatin (CL-5)	6	UV-lamppu Integroitu mineraalisuodatin Classic-mallissa sijainti on tyhjä.
3	Aktiivihiihesuodatin (CL-C)	7	Vuotosuojajärjestelmän katkaisin
4	Käänteisosmoosikalvo		

JÄRJESTELMÄKATSAUS

Järjestelmän kuvaus

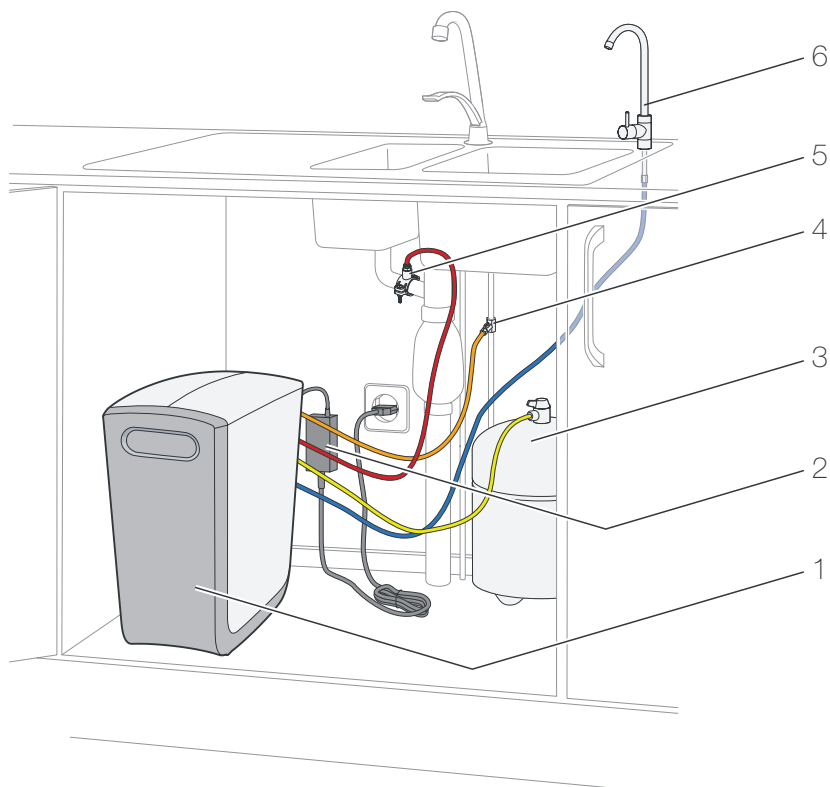


Figure 5. Järjestelmäkatsaus

Nro	Kuvaus	Nro	Kuvaus
1	Cleone-vedenpuhdistuslaite	4	Tulovesiliitäntä
2	Muuntaja	5	Poistovesiliitäntä
3	Puhdasvesisäiliö	6	Puhdasvesihanana

FI

Asennus



Asennukseen Yhdysvalloissa tarvitaan erikoisohjeet. Katso Complete User manual.



Suosittellemme Cleonen asennuksen teettämistä valtuutetun Bluewater-jälleenmyyjän suosittelemalla ammattilaisella. Asennusohjeet ovat luettavissa osoitteesta www.bluewatergroup.com.

Käyttötarkoitus

Cleone on kotikäyttöön tarkoitettu vedenpuhdistuslaite. Älä käytä sitä mihinkään muuhun tarkoitukseen. Käyttö muualla kuin kotiympäristössä ja muihin tarkoituksiin kuin veden puhdistamiseen kotitalouskäyttöä varten katsotaan ohjeiden vastaiseksi käytöksi, joka johtaa automaattisesti Cleone-laitteesi takuun raukeamiseen.

Vedensuodatusjärjestelmä

Cleonen käyttämässä vedenpuhdistusmenetelmässä on kolme vaihetta: esisuodatus, kalvosuodatus ja jälkisuodatus. Cleonesta tuleva puhdas vesi kerätään puhdasvesisäiliöön. Kun säiliö on täynnä, Cleone siirtyy valmiustilaan. Kun veden pinta puhdasvesisäiliössä on matalalla, Cleone avaa tuloveden syötön ja alkaa puhdistaa vettä.

Vesiliitännät

Cleonen liittänapuolella on neljä vesiliitäntää. Säätörenkaissa ja letkuissa on käytössä värikoodi.

Väri	Liitäntä	Kuvaus
ORANSSI	Tulovesi	Tulovesiliitännän kautta tulee tulovesi Cleoneen.
PUNAINEN	Poistovesi	Cleonesta viemäriputkeen menevä poistovesi sisältää veden seasta huuhdeltuja ja poistettuja epäpuhtauksia.
KELTAINEN	Puhdasvesisäiliö	Puhdas vesi kerätään puhdasvesisäiliöön, mistä se menee edelleen puhdasvesihanaan.
SININEN	Puhdasvesihana	Puhdas vesi Cleonesta puhdasvesihanaan.

Älykäs kalvohuuhtelu

Käänteisosmoosikalvoa huuhdellaan säännöllisesti vedellä valmiustilassa. Kalvo huuhdellaan myös ennen ja jälkeen puhdistusjakson. Tällä varmistetaan, että puhdistusprosessi alkaa aina raikkaalla syöttövedellä.

Vedenlaatu järjestelmä

Puhdistusprosessia valvotaan jatkuvasti, jotta varmistetaan veden korkea laatu. Jos vedenlaatu heikkenee, järjestelmän toimintavalo vilkkuu. Jos ongelma jatkuu, Cleone pysähtyy.

Vuotosuojajärjestelmä

Cleonen pohjassa oleva anturi havaitsee vesivuodot. Vuodon sattuessa tuloveden syöttö keskeytyy. Cleonea ei voi käynnistää uudelleen, ennen kuin vuoto on korjattu.

Tekniset tiedot



Katso tarkemmat tekniset tiedot osoitteesta www.bluewatergroup.com

Parametri/Malli	Cleone Classic	Cleone Balance	Cleone Ultra	Cleone PurityPlus
Koko LxSxK [mm]	215x380x416	215x380x416	215x380x416	215x380x416
Paino [kg]	10,4	11	11,4	12
Virtalähde	95-240V 50-60Hz	95-240V 50-60Hz	95-240V 50-60Hz	95-240V 50-60Hz
Puhdistetun veden virtaama [l/vrk (GPD)]	160 (43)	160 (43)	160 (43)	160 (43)

HUOLTO

Jokapäiväinen huolto

Cleonen puhdistus



Älä käytä kemikaaleja pinnan puhdistamiseen. Alkoholi, bensiini, orgaaniset ja epäorgaaniset hapot sekä vahvat peruskemikaalit (kuten astianpesuainetiiviste) vaurioittavat pintaa.



Älä käytä Cleonen puhdistamiseen kovia tai teräviä työkaluja.

Vaihe	Toimenpide
1	Puhdista ulkopinta pehmeällä ja kostealla liinalla ja miedolla saippualliuksella pölyn, tahrojen ja lian poistamiseksi.
2	Kuivaa pehmeällä ja kuivalla liinalla.

Säännöllinen huolto



Säännöllinen kunnossapito on tärkeää oikean toiminnan ja pitkäaikaisen toiminnan varmistamiseksi. Ainoastaan koulutettu ja valtuutettu henkilökunta saa tehdä kunnossapitotöitä.



Vedenlaatu valvoo kunnossapitovälejä. Jos syöttövedessä on korkeita määriä liukenemattomia kiinteitä aineita, kunnossapito on tehtävä useammin.



Katso ohjeet kunnossapitotöihin täydellisestä käyttöohjeesta osoitteesta www.bluewatergroup.com

Tiheys	Kuvaus
6 kuukautta	Vaihda karkean sedimentin esisuodatin (CL-20)
	Vaihda hienon sedimentin esisuodatin (CL-5)
	Vaihda aktiivihiihesuodatin (CL-C)
	Vaihda Integroidun mineraalisuodattimen
	Huuhtelee aktiivihiihesuodatin
	Tee syöttöveden paine- ja laatutarkastus
1 vuosi	Vaihda aktiivihiihjälkisuodatin (CL-Inline-C)
	Vaihda UV-lamppu
	Huuhtelee aktiivihiihjälkisuodatin
3-5 vuotta	Vaihda käänteisosmoosikalvon

FI

VIANMÄÄRITYS

Yksinkertaisten ongelmien ratkaiseminen



Katso apua vakavampiin ongelmiin täydellisestä käyttöohjeesta osoitteesta www.bluewatergroup.com

Oire	Syy	Ratkaisu
Vettä ei tule puhdasvesihanasta. Järjestelmän toimintavalo ei pala.	Cleone ei ole kytkettynä verkkovirtaan.	Kytke Cleone pistorasiaan ja muuntajaan. Varmista, että 24 V:n tasavirtajohto muuntajasta on kytkettynä Cleonen sähköliitintään.
	Cleonea ei ole käynnistetty.	Käännä virtakatkaisin kohtaan 1.
	On havaittu sisäinen vuoto. Cleone on automaattisesti sammutettu.	Ota yhteys Bluewaterin jälleenmyyjään vuodon korjaamista ja järjestelmän uudelleenkäynnistystä varten.
Vettä ei tule puhdasvesihanasta. Järjestelmän toimintavalo palaa.	Cleone on asennettu ensimmäisen kerran, eikä järjestelmä ole ehtinyt täytyä vedellä.	Odota, kunnes järjestelmä on täytty vedellä.
	Vesiputkia ei ole liitetty, tai liitäntä on tehty virheellisesti.	Varmista, että liitännät on tehty oikein.
	Määräaikaista kunnossapitoa ei ole tehty. Esisuodattimet ovat tukossa.	Ota yhteys Bluewaterin jälleenmyyjään Cleonen kunnossapitoa varten.
Vettä ei tule puhdasvesihanasta. Järjestelmän toimintavalo vilkkuu hyvin nopeasti (0,1 s PÄÄLLÄ, 0,1 s POIS).	Tuloveden paine on liian alhainen, ja pumpun suojajärjestelmä on katkaissut tuloveden syötön.	Cleone alkaa toimia normaalisti, kun tuloveden paine palautuu.
Vettä ei tule puhdasvesihanasta. Järjestelmän toimintavalo vilkkuu nopeasti (0,5 s PÄÄLLÄ, 0,5 s POIS).	Cleone on pysähtynyt, koska vedenlaatu on heikko.	Ota yhteyttä Bluewaterin jälleenmyyjään ja pyydä laitteen huoltoa.
Järjestelmän toimintavalo vilkkuu nopeasti (0,5 s PÄÄLLÄ, 0,5 s POIS). Vettä tulee puhdasvesihanasta.	Veden laatu on heikentynyt.	Puhdistetun veden käyttö on turvallista. Lisätietoja saat ottamalla yhteyttä Bluewaterin jälleenmyyjään.
Järjestelmän toimintavalo vilkkuu hitaasti (2 s PÄÄLLÄ, 2 s POIS).	Suodattimet on vaihdettava.	Katso kohdasta "Säännöllinen huolto" lisätietoja suodattimien vaihtamisesta. Vaihda suodattimet ja nollaa suodattimen merkkivalo, kuten Complete User manual -käyttöohjeessa on kuvattu.
Virtausnopeus puhdasvesihanasta on alhainen.	Puhdasvesisäiliö on tyhjä suuren vedenkulutuksen vuoksi.	Vaihda suurempaan säiliöön tai suurkapasiteettikalvoon.
	Puhdasvesisäiliön ilmanpaine on alhainen.	Ota yhteys Bluewaterin jälleenmyyjään oikean ilmanpaineen palauttamiseksi puhdasvesisäiliöön.
Liikaa jatkuvaa melua veden puhdistuksen aikana.	Apupumppu on huollettava.	Ota yhteys Bluewaterin jälleenmyyjään.

Innhold

SIKKERHET	84
Sikkerhetsanvisninger	84
Sikkerhetsinformasjon	84
PRODUKTOVERSIKT	85
Cleone utvendig	85
Cleone innvendig	86
SYSTEMOVERSIKT	87
Systembeskrivelse	87
Installasjon	87
Tiltenkt bruk	88
Vannfiltreringssystem	88
Intelligent membranskylling	88
Vannkvalitetssystem	88
Lekkasjebeskyttelsessystem	88
Teknisk informasjon	88
VEDLIKEHOLD	89
Daglig vedlikehold	89
Regelmessig vedlikehold	89
FEILSØKING	90
Hvordan løse enkle problem	90

Kundeservice

Se "Feilsøking" for å løse mindre problemer før du kontakter service. Hvis du trenger ekstern kundestøtte, kan det medføre kostnader.

Pass på at du har følgende opplysninger (finnes på spesifikasjonsskiltet bak filteret) tilgjengelig når du ringer Bluewater:

- Modell
- Produktnummer
- Serienummer

Miljøinformasjon



80 % av komponentene i vannrenseren og emballasjen er merket for å bidra til riktig resirkulering og kassering. Vannrenseren er mer effektiv når den renser vann i lengre perioder. Eksempel: Ikke fyll et glass med vann. Fyll en mugge i stedet.



Apparater som er merket med dette symbolet må leveres til godkjente returpunkter for kassering av elektrisk og elektronisk utstyr. Dette produktet må ikke kasseres som vanlig husholdningsavfall.

SIKKERHET

Sikkerhetsanvisninger

Før du installerer eller bruker apparatet, må du lese sikkerhetsinformasjonen. Følg anvisningene i denne håndboken for å unngå personskader og skader på utstyret. Denne håndboken inneholder ADVARSLER og MERKNADER som gjelder for sikker bruk av apparatet.



En ADVARSEL merker tilstander som kan føre til skader på utstyret. Følg instruksjonene og ikke fortsett før alle tilstander er akseptert og tiltak er iverksatt.



En Merknad merker informasjon for en problemfri og optimal bruk av Cleone.

Sikkerhetsinformasjon



Du må ikke koble fra de eksterne vannrørene, og ikke utføre arbeide på dem. Kontakt Bluewater-forhandleren for hjelp hvis du må koble fra vannrør. I nødsfall kan du følge instruksjonene i den komplette brukerhåndboken.



Dette produktet kan brukes av barn som er mer enn 8 år gamle. Det kan også brukes av personer med redusert fysisk, sansemessig eller mental kapasitet eller manglende erfaring og kunnskap, hvis de er under tilsyn eller er instruert i trygg bruk av apparatet og forstår farene som er involvert.



Du må ikke reparere eller endre de innvendige komponentene i Cleone. Dette kan får Cleone til å virke feil og gjøre det farlig å bruke.



Bruk kun originale Bluewater strømadaptere som elektrisk strømforsyning for Cleone. Å bruke en annen strømforsyningsadapter kan gjøre Cleone farlig å bruke. Det kan også føre til skader på innvendige deler i Cleone. Du må ikke bruke ledningen hvis det er synlige skader på den. Hvis strømledningen er skadd, må du skifte den ut for å forebygge fare.



Kun autorisert Bluewater-personale kan utføre service vedlikehold og reparasjoner på Cleone. Bruk kun originale erstatningspatroner eller deler fra Bluewater.



Du må ikke sette Cleone i vann. Rengjør overflaten med en fuktig klut og en svak såpeoppløsning. Ikke bruk kjemikalier for å rengjøre overflaten på Cleone. Alkohol, bensin, organiske og uorganiske syrer, sterke basiske kjemikalier (så som konsentrert vaskemiddel) vil føre til skade på Cleones overflate.



Ikke sett eller oppbevar gjenstander oppe på Cleone.



Ikke bruk Cleone på matevann som er mikrobiologisk farlig, eller hvor den mikrobiologiske kvaliteten ikke er kjent.

PRODUKTOVERSIKT

Modell	Cleone Classic	Cleone Balance	Cleone Ultra	Cleone PurityPlus
UV-lampe			✓	✓
Integrert minnerfilter		✓		✓

Cleone utvendig

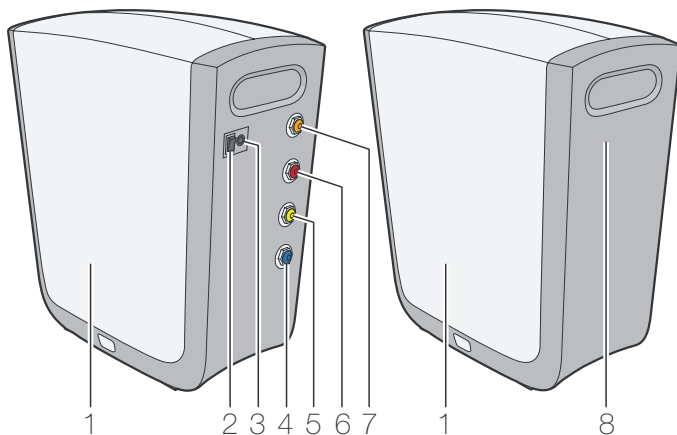


Figure 1. Cleone utvendig

Pos	Beskrivelse	Pos	Beskrivelse
1	Sidedeksel	5	Tilkobling til tank for rent vann - GUL
2	Strømbryter	6	Tilkobling for avlepsvann - RØD
3	Elektrisk tilkobling	7	Tilkobling for inntaksvann - ORANSJE
4	Tilkobling for rentvannkran - BLÅ	8	Systemdriftsindikator

Strømbryter

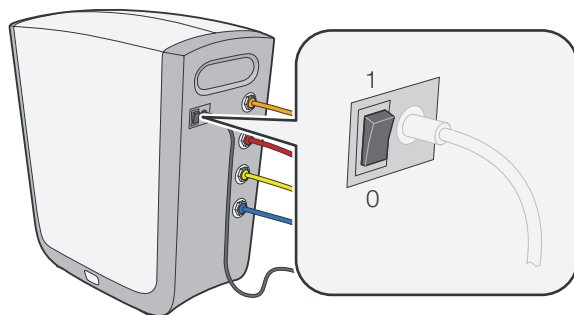


Figure 2. Strømbryter

Posisjon	Beskrivelse
1	Cleone er startet. Vann kan renses.
0	Cleone er stoppet. Ingen vannrensing. Vannet fra tanken for rent vann kan brukes inntil tanken er tom.

Systemdriftsindikator

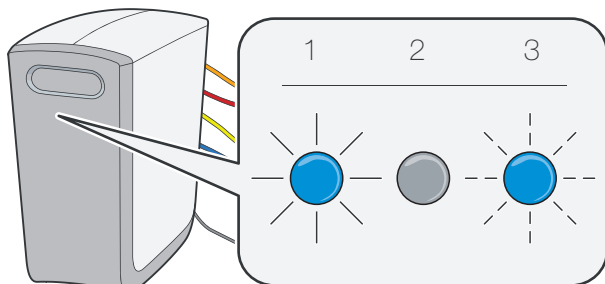


Figure 3. Systemdriftsindikator

Pos	Beskrivelse
1	På – Cleone virker korrekt.
2	Av – Cleone er slått av. Hvis strømbryteren er i stilling "1" se "Feilsøking".
3	Blinker – Det er et problem med Cleone. Se "Feilsøking" eller kontakt Bluewater-forhandleren.

Cleone innvendig

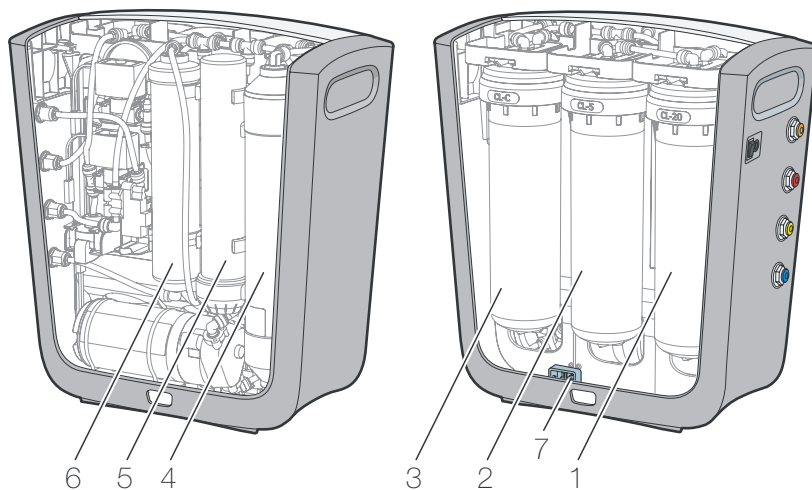


Figure 4. Cleone innvendig

Pos	Beskrivelse	Pos	Beskrivelse
1	Grovt sedimentforfilter (CL-20)	5	Aktivt karbon etterfilter (CL-Inline-C) UV-lampe (Classic, Balance, Ultra) (PurityPlus)
2	Fint sedimentforfilter (CL-5)	6	UV-lampe Integrert mineralfilter Posisjonen står tom for Classic. (Ultra) (Balance, PurityPlus)
3	Aktivt karbon forfilter (CL-C)	7	Bryter for lekkasjebeskyttelsessystem
4	Membran for omvendt osmose		

SYSTEMOVERSIKT

Systembeskrivelse

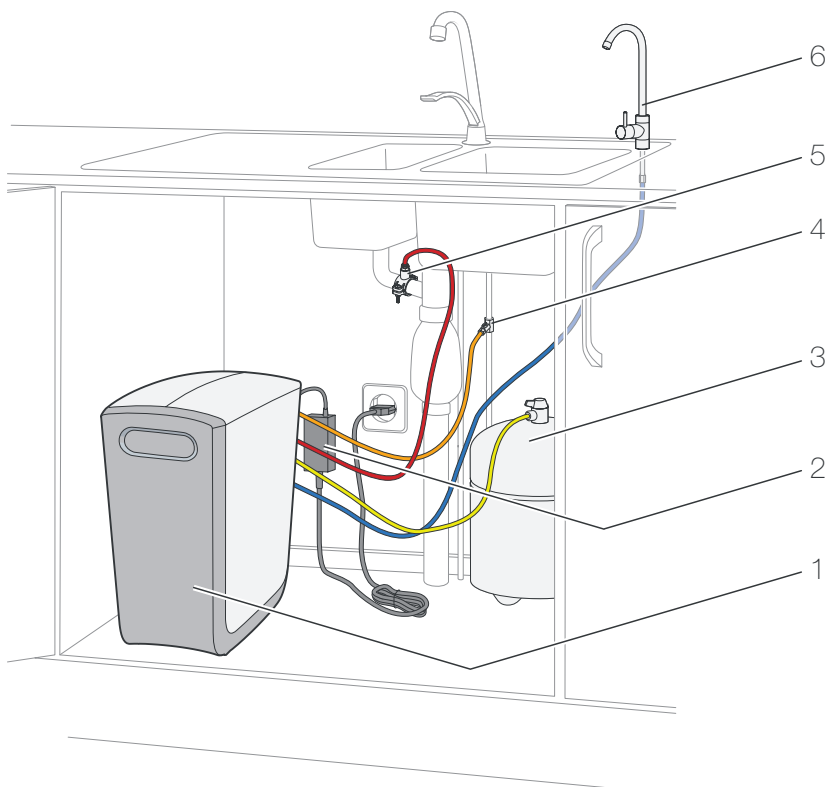


Figure 5. Systemoversikt

Pos	Beskrivelse	Pos	Beskrivelse
1	Cleone vannrensner	4	Matevanntilkobling
2	Strømadapter	5	Avløpsvannstilkobling
3	Tank for rent vann	6	Rentvannkran

Installasjon



Ved installasjon i USA kreves spesielle instruksjoner. Se Complete User manual.



Vi anbefaler at Cleone installeres av en profesjonell som er anbefalt av en autorisert Bluewater-forhandler. Installasjonsanvisninger kan finnes hos www.bluewatergroup.com.

Tiltenkt bruk

Cleone er en vannrensner for hjemmebruk. Ikke bruk den til andre formål. Enhver bruk utenom hjemmet og til andre formål enn vannrensning for husholdningsbruk er betraktet som ikke tiltenkt bruk og vil automatisk oppheve Cleone-garantien din.

Vannfiltreringssystem

Cleone renser vannet i tre trinn: forfiltrering, membranfiltrering og etterfiltrering. Rent vann fra Cleone samles i tanken for rent vann. Når tanken er full, settes Cleone i ventemodus. Når nivået i tanken for rent vann er lavt, åpner Cleone for matevanntilførselen og begynner å rense vannet.

Vanntilkoblinger

Det er fire vanntilkoblinger på tilkoblingssiden av Cleone. Hylseringene og rørene har en fargekode.

Farge	Tilkobling	Beskrivelse
ORANSJE	Matevann	Matevanntilkoblingen forsyne Cleone med matevann.
RØD	Avløpsvann	Avløpsvann fra Cleone til avløpsrøret inneholder utskylt og frastøtt forurensning.
GUL	Tank for rent vann	Rent vann samles i tanken for rent vann før det forsynes til rentvannkranen.
BLÅ	Rentvannkran	Rent vann fra Cleone til rentvannskranen.

Intelligent membranskylling

Omvendt osmose-membranen spyles regelmessig med vann i standbymodus. Membranen spyles også før og etter rengjøringszyklusen. Dette sikrer at rengjøringsprosessen alltid begynner med friskt matevann.

Vannkvalitetssystem

Rengjøringsprosessen overvåkes kontinuerlig for å sikre høy vannkvalitet. Hvis vannkvaliteten reduseres, blinker systemdrift-indikatoren. Hvis problemet vedvarer, stopper Cleone-enheten.

Lekkasjebeskyttelsessystem

En føler på bunnen av Cleone føler vannelekkasjer. Hvis det er en lekkasje, stanser vannforsyningen. Cleone kan ikke startes igjen før lekkasjen er blitt reparert.

Teknisk informasjon



For mer detaljert teknisk informasjon, se www.bluewatergroup.com

Parameter/Modell	Cleone Classic	Cleone Balance	Cleone Ultra	Cleone PurityPlus
Størrelse BxDxH [mm]	215×380×416	215×380×416	215×380×416	215×380×416
Vekt [kg]	10.4	11	11.4	12
Strømforsyning	95-240V 50-60Hz	95-240V 50-60Hz	95-240V 50-60Hz	95-240V 50-60Hz
Renset vannkapasitet [V/dag (GPD)]	160 (43)	160 (43)	160 (43)	160 (43)

VEDLIKEHOLD

Daglig vedlikehold

Å rengjøre Cleone



Ikke bruk kjemikalier for å rengjøre overflaten. Alkohol, bensin, organiske og uorganiske syrer, sterke basiske kjemikalier (så som konsentrert vaskemiddel) vil føre til skade på overflaten.



Ikke bruk harde eller skarpe verktøy for å rengjøre Cleone.

Trinn	Handling
1	Rengjør overflaten med en fuktig klut og en svak såpeoppløsning for å fjerne støv, flekker og skitt.
2	Tørk av med en tørr klut.

Regelmessig vedlikehold



Regelmessig vedlikehold er viktig for korrekt funksjon og langtids drift. Kun opplært og autorisert personell kan utføre vedlikeholdet.



Vedlikeholdsfrekvensen avhenger av vannkvaliteten. Hvis matevannet inneholder høye nivåer av oppløste faste stoffer, kreves hyppigere vedlikehold.



For instruksjoner om hvordan vedlikehold utføres, se Complete User manual www.bluewatergroup.com

Frekvens	Beskrivelse
6 måneder	Skift det grove sedimentfilteret (CL-20)
	Skift det fine sedimentfilteret (CL-5)
	Skifte det aktive karbonfilteret (CL-C)
	Skift det integrert mineralfilteret
	Skyll det aktive karbonfilteret
	Foreta en kontroll av vanntrykk og vannkvalitet
1 år	Skift det aktive karbonetterfilteret (CL-Inline-C)
	Skift UV-lampen
	Skyll det aktive karbonetterfilteret
3-5 år	Skift membranet for omvendt osmose

NO

FEILSØKING

Hvordan løse enkle problem



For mer alvorlige problemer, se Complete User manual på www.bluewatergroup.com

Symptom	Årsak	Løsning
Det kommer ikke vann ut av kranen for rensset vann. Systemdrift-indikatoren er slukket.	Cleone er ikke strømtilkoblet	Koble Cleone til en elektrisk kontakt og til strømadapteren. Pass på at kabelen 24V DC fra strømadapteren er tilkoblet til den elektriske strømkontakten på Cleone.
	Cleone er ikke startet.	Slå strømbryteren til stilling 1.
	En intern lekkasje er oppdaget. Cleone har stoppet automatisk.	Kontakt Bluewater-forhandleren din for å reparere lekkasjen og tilbake stille systemet.
Det kommer ikke vann ut av kranen for rensset vann. Systemdrift-indikatoren er tent.	Cleone er blitt installert for første gang og systemet er ikke fylt med vann.	Vent på at systemet fylles med vann.
	Vannrørene er ikke tilkoblet eller tilkoblingen er gjort feil.	Pass på at tilkoblingene er gjort riktig.
	Vanlig vedlikehold er ikke utført. Forfiltrene er tette.	Kontakt Bluewater-forhandleren din for å utføre vedlikehold på Cleone.
Det kommer ikke vann ut av kranen for rensset vann. Systemdrift-indikatoren blinker svært raskt (0,1 sek PÅ, 0,1 sek AV).	Matevanntrykket er for lavt og pumpebeskyttelsessystemet har stoppet matevanntilførselen.	Cleone vil starte driften som vanlig når matevanntrykket kommer tilbake.
Det kommer ikke vann ut av kranen for rensset vann. Systemdrift-indikatoren blinker raskt (0,5 sek PÅ, 0,5 sek AV).	Cleone-enheten har stoppet fordi vannkvaliteten er lav.	Kontakt Bluewater-forhandleren for service.
Systemdrift-indikatoren blinker raskt (0,5 sek PÅ, 0,5 sek AV). Det kommer vann ut av kranen for rensset vann.	Vannkvaliteten er redusert.	Det er trygt å bruke det rensede vannet. Kontakt Bluewater-forhandleren hvis du ønsker mer informasjon.
Systemdrift-indikatoren blinker langsomt (2 sek PÅ, 2 sek AV).	Filtrene må skiftes.	Se informasjon om når filtrene skal skiftes i "Regelmessig vedlikehold". Skift filtrene og nullstill filterindikatoren som beskrevet i Complete User manual.
Vannstrømhastigheten fra rentvannkranen er lav.	Tanken for rent vann er tom på grunn av høyt vannforbruk.	Oppgrader til en større tank eller til en høykapasitetsmembran.
	Luftrykket i tanken for rent vann er lavt.	Kontakt Bluewater-forhandleren din for å gjenopprette riktig luftrykk i tanken for rent vann.
For mye kontinuerlig støy under vannrensingen.	Det må utføres vedlikehold på hjelpetrykkpumpen.	Kontakt din Bluewater-forhandler.

目录

安全	92
安全说明	92
安全信息	92
产品概述	93
Cleone 外部	93
Cleone 内部	94
系统概述	95
系统说明	95
安装	95
预期用途	96
水过滤系统	96
智能膜冲洗	96
水质控制系统	96
防漏系统	96
技术信息	96
维护	97
日常维护	97
定期维护	97
故障排除	98
如何解决简单问题	98

客户服务

在致电客户服务部门前，请参阅“故障排除”以解决小问题。如果需要外部服务支持，则需支付费用。
致电客服时，确保准备好以下资料（位于过滤器后的铭牌上）：

- 型号
- 产品编号
- 序列号

环境信息



80% 的净水器组件及其包装上都带有标签，可帮助您进行正确回收和丢弃。当净水器长时间对水进行清洁时，效率会更高。例如：建议用水壶而不是玻璃水杯来装水。



带有此标志的装置必须送至当地指定的用于处理电气和电子设备的接收站。
本产品不适于按照一般家庭垃圾处理过程进行处置。

安全

安全说明

安装或操作设备前，必须阅读安全信息。遵守本手册中的说明，可防止人身伤害或设备损坏。本手册包含旨在安全操作设备的“小心”和“注意”信息。



“小心”指示出会导致设备损坏的状况。遵守说明，在所有状况可接受且正常前不要继续操作。



“注意”指示出无故障地优化利用 Cleone 的重要信息。

安全信息



请勿断开外部水管，请勿在其上执行操作。如果必须断开水管，可向 Bluewater 经销商请求帮助。紧急情况下，请按照完整用户手册中的说明操作。



本设备可由 8 岁以上儿童使用。对于肢体不健全、感觉或精神上有障碍或缺乏经验和知识的人员，如果有人在一旁监督或向他们提供安全使用本设备的说明并让他们了解相关危险，则也适用于这些人员使用。



请勿维修或更换 Cleone 的内部组件。这可能会使 Cleone 无法正确操作，或在使用中造成危险。



请仅使用原装 Bluewater 电源适配器作为 Cleone 的电源。使用其他电源适配器会在 Cleone 中造成危险。还会损坏 Cleone 的内部零件。请勿使用有明显破损迹象的电源线。如果电源线已破损，请进行更换，以免发生危险。



仅经过认可的 Bluewater 员工才能对 Cleone 进行保养、维护和维修。只能使用 Bluewater 提供的原装替换滤芯和零件。



请勿将 Cleone 置于水中。使用湿布和弱肥皂溶液清洁表面。请勿使用化学品清洁 Cleone 表面。酒精、汽油、有机和无机酸、强碱性化学品（如浓缩的餐具洗涤剂）都会损坏 Cleone 表面。



请勿在 Cleone 顶部放置或存放物品。



请勿对存在微生物危险性或微生物安全性未知的给水使用 Cleone。

产品概述

型号	Cleone Classic	Cleone Balance	Cleone Ultra	Cleone PurityPlus
UV 灯			✓	✓
一体化矿物过滤器		✓		✓

Cleone 外部

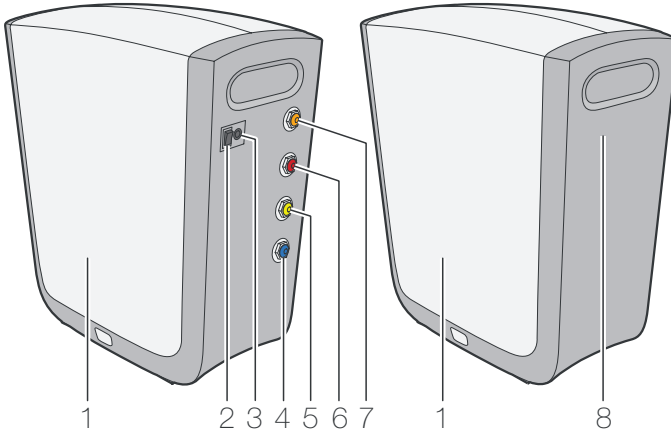


Figure 1. Cleone 外部

位置	说明	位置	说明
1	侧盖	5	净水箱接口 - 黄色
2	电源开关	6	废水接口 - 红色
3	电源接口	7	进水接口 - 橙色
4	净水龙头接口 - 蓝色	8	系统操作指示灯

电源开关

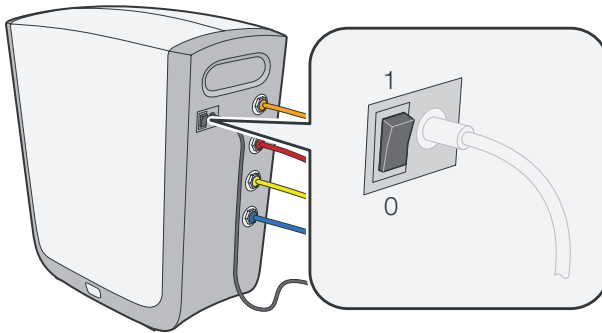


Figure 2. 电源开关

位置	说明
1	Cleone 启动。可对水进行清洁。
0	Cleone 停止。不对水进行清洁。可使用净水箱中的水，直到水箱为空。

系统操作指示灯

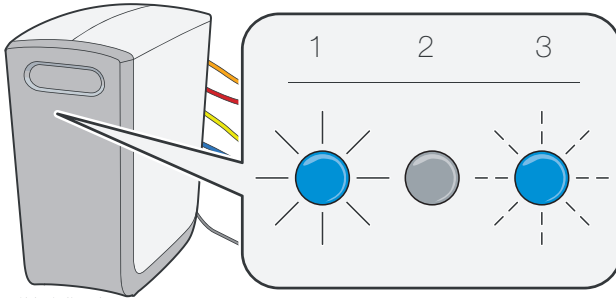


Figure 3. 系统操作指示灯

位置	说明
1	打开 – Cleone 正确操作。
2	关闭 – Cleone 关闭。如果电源开关处于位置“1”，请参阅“故障排除”。
3	闪烁 – Cleone 出现问题。请参阅“故障排除”或与 Bluewater 经销商联系。

Cleone 内部

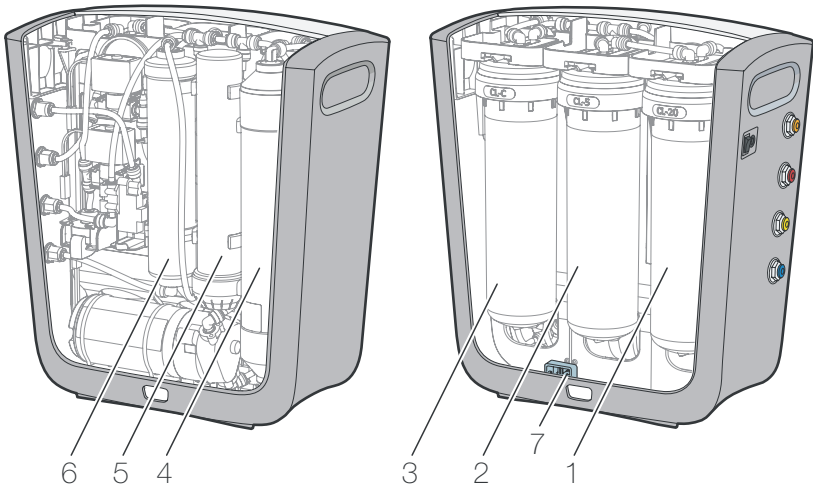


Figure 4. Cleone 内部

位置	说明	位置	说明
1	粗砂前置过滤器 (CL-20)	5	活性碳后置过滤器 (CL-In-line-C) UV 灯 (Classic, Balance, Ultra) (PurityPlus)
2	细砂前置过滤器 (CL-5)	6	UV 灯 一体化矿物过滤器 该位置为 Classic 留空。 (Ultra) (Balance, PurityPlus)
3	活性炭前置过滤器 (CL-C)	7	防漏系统开关
4	反渗透膜		

系统概述

系统说明

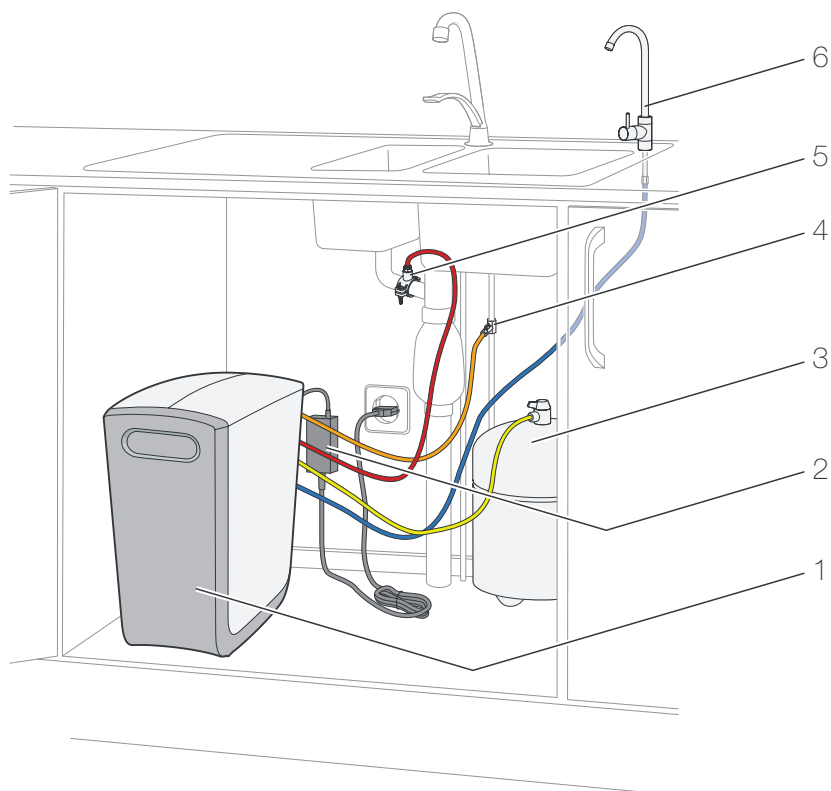


Figure 5. 系统概述

位置	说明	位置	说明
1	Cleone 净水器	4	给水接口
2	电源适配器	5	废水接口
3	净水箱	6	净水龙头

安装



在美国安装时,需要遵循特别说明。请参阅 Complete User manual。



建议由授权的 Bluewater 经销商推荐的专业人员安装 Cleone。有关安装说明,请访问 www.bluewatergroup.com。

预期用途

Cleone 家用净水器。请勿将它用于任何其他目的。在室内家庭环境以外使用以及用于家庭净化水以外的其他用途，都被视为非预期用途，将自动使 Cleone 保修无效。

水过滤系统

Cleone 分三步对水进行清洁：前置过滤、膜过滤和后置过滤。Cleone 生成的净水收集在净水箱中。当水箱满时，Cleone 将进入待机模式。当净水箱水位变低时，Cleone 将打开给水供应源并开始净化水。

水接口

Cleone 连接侧共有四个水接口。收集环和管道带有彩色标记。

颜色	接口	说明
橙色	给水	给水接口用于为 Cleone 给水。
红色	废水	Cleone 排到排水管的废水中含有冲掉和剔除的污染物。
黄色	净水箱	净水在供给净水龙头前被收集在净水箱中。
蓝色	净水龙头	Cleone 生产的净水将供给净水龙头。

智能膜冲洗

在待机模式下，将定期用水冲洗反渗透过滤器膜。在清洁循环之前和之后，也会对膜进行冲洗。这样，就可确保清洁过程开始时始终使用新鲜的给水。

水质控制系统

清洁过程将持续受到监测以确保高水质。如果水质降低，系统操作指示灯将闪烁。如果问题继续出现，Cleone 将停止。

防漏系统

Cleone 底部的传感器可感应漏水。如果出现漏水，将停止给水。在修复漏水前，无法启动 Cleone。

技术信息



有关详细技术信息，请访问 www.bluewatergroup.com

参数/型号	Cleone Classic	Cleone Balance	Cleone Ultra	Cleone PurityPlus
尺寸 - 宽×深×高 [毫米]	215×380×416	215×380×416	215×380×416	215×380×416
重量 [千克]	10.4	11	11.4	12
电源	95-240V 50-60Hz	95-240V 50-60Hz	95-240V 50-60Hz	95-240V 50-60Hz
净化水的流速 [l/day (GPD)]	160 (43)	160 (43)	160 (43)	160 (43)

维护

日常维护

清洁 Cleone



请勿使用化学品清洁表面。酒精、汽油、有机和无机酸、强碱性化学品(如浓缩的餐具洗涤剂)都会损坏表面。



请勿使用尖硬工具清洁 Cleone。

步骤	操作
1	使用湿润的软布和弱肥皂溶液清洁外部表面以去除尘垢和污迹。
2	使用干燥的软布擦干。

定期维护



定期维护对于正常使用和长期操作很重要。只有经培训和认可的人员才能执行维护。



水质决定维护频率。如果水中的溶解固体的浓度很高,则需要更频繁地进行维护。



有关如何执行维护的说明,请查看 www.bluewatergroup.com 上的完整用户手册。

频率	说明
6 个月一次	更换粗砂前置过滤器 (CL-20)
	更换细砂前置过滤器 (CL-5)
	更换活性炭前置过滤器 (CL-C)
	更换一体化矿物过滤器
	冲洗活性炭前置过滤器
	检查给水压力和质量
1 年一次	更换活性炭后置过滤器 (CL-Inline-C)
	更换 UV 灯
	冲洗活性炭后置过滤器
3-5 年	更换反渗透膜

ZH

故障排除

如何解决简单问题



有关更严重的问题，请查看 www.bluewatergroup.com 上的完整用户手册

症状	原因	解决方法
净水龙头不出水。系统操作指示灯熄灭。	Cleone 未连接到电源。	将 Cleone 连接到电源插座和电源适配器。确保将电源适配器的 24V DC 电缆连接到 Cleone 上的电源插座。
	Cleone 无法启动。	将电源开关移到位置 1。
	检测到内部出现泄漏。Cleone 已自动停止。	与 Bluewater 经销商联系以修复泄漏并重置系统。
净水龙头不出水。系统操作指示灯点亮。	首次安装 Cleone，系统中未装满水。	等待系统装满水。
	未连接水管或连接错误。	确保正确进行连接。
	尚未执行常规维护。前置过滤器堵塞。	与 Bluewater 经销商联系以对 Cleone 进行维护。
净水龙头不出水。系统操作指示灯高频闪烁（点亮 0.1 秒，熄灭 0.1 秒）。	给水压力太低，泵保护系统已停止给水供应。	恢复给水压力后，Cleone 将开始如常操作。
净水龙头不出水。系统操作指示灯快速闪烁（点亮 0.5 秒，熄灭 0.5 秒）。	Cleone 已停止，因为水质很低。	与 Bluewater 经销商联系以获得服务。
系统操作指示灯快速闪烁（点亮 0.5 秒，熄灭 0.5 秒）。 净水龙头出水。	水质已降低。	使用经净化的水可保证安全。有关更多信息，请与 Bluewater 经销商联系。
系统操作指示灯缓慢闪烁（点亮 2 秒，熄灭 2 秒）。	必须更换过滤器。	有关何时更换过滤器的信息，请参阅“定期维护”。按 Complete User manual 中所述更换过滤器并重置过滤器指示灯。
净水龙头的流速很低。	由于水的消耗量太高，净水箱变空。	升级到更大水箱或容量更高的膜。
	净水箱中的气压很低。	与 Bluewater 经销商联系以恢复净水箱中的正确气压。
净化水的过程中持续出现很多噪音。	必须对增压泵进行维护。	与 Bluewater 经销商联系。

中国市场进入许可:

卫生许可批准文号: 粤卫水字[2017]第S3206号

KESELAMATAN	100
Instruksi keselamatan	100
Informasi keselamatan	100
SEKILAS PRODUK	101
Cleone luar	101
Cleone dalam.....	102
SISTEM IKHTISAR	103
Deskripsi sistem	103
Instalasi.....	103
Tujuan penggunaan	104
Sistem penyaringan air	104
Siram membran cerdas	104
Sistem kualitas air.....	104
Sistem perlindungan kebocoran.....	104
Informasi teknis	104
PEMELIHARAAN.....	105
Pemeliharaan harian	105
Pemeliharaan rutin.....	105
PEMECAHAN MASALAH	106
Bagaimana mengatasi masalah sederhana.....	106

Layanan pelanggan

Lihat “Pemecahan Masalah” untuk pemecahan masalah kecil sebelum menelepon layanan. Apabila Anda membutuhkan dukungan layanan eksternal, dapat dikenakan biaya.

Pastikan untuk memiliki data berikut (ditemukan pada pelat data yang terletak di belakang filter) yang tersedia pada saat memanggil Bluewater:

- Model
- Nomor produk
- Nomor serial

Information lingkungan



80% dari komponen penjernih air dan kemasannya memiliki label untuk membantu Anda mendaur ulang dan membuangnya dengan benar. Penjernih air lebih efisien ketika membersihkan air untuk waktu yang lama. Contoh: tidak mengisi gelas dengan air. Isi kendi sebagai gantinya.



Peralatan yang membawa simbol ini harus disimpan pada titik penerimaan lokal ditunjuk untuk pembuangan peralatan listrik dan elektronik.
Produk ini tidak dapat dibuang dengan menggunakan proses pengumpulan pembuangan rumah tangga.

KESELAMATAN

Instruksi keselamatan

Sebelum Anda menginstal atau mengoperasikan alat, Anda harus membaca informasi keselamatan. Patuhi petunjuk dalam manual ini untuk mencegah cedera atau kerusakan pada peralatan. Panduan ini berisi PERINGATAN dan PEMBERITAHUAN yang berlaku untuk operasi yang aman dari perangkat.



PERHATIAN mengidentifikasi kondisi yang dapat menyebabkan kerusakan pada peralatan. Patuhi petunjuk dan tidak melanjutkan sampai semua kondisi diterima dan dilakukan.



Catatan mengidentifikasi informasi penting untuk gratis pemecahan masalah dan penggunaan Cleone yang optimal.

Informasi keselamatan



Jangan melepaskan tabung air eksternal, dan tidak melakukan pekerjaan padanya. Hubungi ke dealer Bluewater Anda untuk bantuan jika Anda harus melepaskan tabung air. Dalam keadaan darurat, ikuti petunjuk di Lengkap Panduan pengguna.



Alat ini bisa digunakan oleh anak-anak yang berusia lebih dari 8 tahun. Hal ini juga dapat digunakan oleh orang-orang yang memiliki kekurangan kemampuan fisik, indera atau mental atau kurang pengalaman dan pengetahuan, apabila mereka diberikan pengawasan atau instruksi tentang penggunaan alat dengan cara yang aman dan memahami bahaya yang terjadi.



Jangan memperbaiki atau mengganti komponen internal Cleone. Hal ini dapat membuat Cleone beroperasi secara tidak benar, atau membuatnya berbahaya untuk digunakan.



Gunakan hanya asli Bluewater adaptor sebagai sumber daya listrik untuk Cleone Anda. Untuk menggunakan adaptor daya yang berbeda dapat membuat Cleone menjadi berbahaya untuk digunakan. Hal ini juga dapat menyebabkan kerusakan pada bagian internal Cleone. Jangan gunakan kabel ini jika ada tanda-tanda kerusakan di atasnya. Jika kabel listrik rusak, gantilah untuk mencegah terjadinya resiko berbahaya.



Hanya staf Bluewater yang dapat melakukan servis, pemeliharaan dan perbaikan di Cleone. Hanya menggunakan kartrid pengganti asli dan komponen dari Bluewater.



Tidak menaruh Cleone dalam air. Bersihkan permukaan dengan kain lembab dan larutan sabun yang lembut. Jangan gunakan bahan kimia untuk membersihkan permukaan Cleone. Alkohol, bensin, asam organik dan anorganik, bahan kimia dasar yang kuat (seperti terkonsentrasi hidangan cuci deterjen) akan menyebabkan kerusakan pada permukaan Cleone.



Jangan menaruh atau menyimpan benda-benda di atas Cleone.



Tidak menggunakan Cleone pada air umpam yang secara mictobiologi berbahaya, atau di mana kualitas mikrobiologis tidak diketahui.

SEKILAS PRODUK

Model	Cleone Classic	Cleone Balance	Cleone Ultra	Cleone PurityPlus
Lampu UV			✓	✓
Filter mineral terintegrasi		✓		✓

Cleone luar

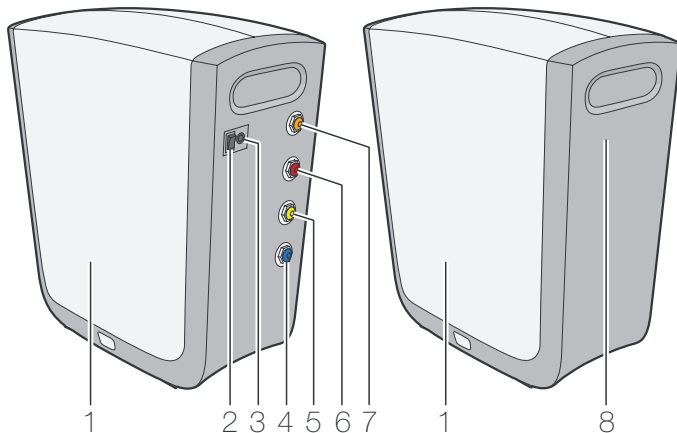


Figure 1. Cleone luar

Pos	Deskripsi	Pos	Deskripsi
1	Penutup samping	5	Konektor tangki air bersih - KUNING
2	Saklar daya	6	Konektor aliran air - MERAH
3	Sambungan Elektrik	7	Konektor air inlet - JINGGA
4	Konektor faucet air bersih - BIRU	8	Indikator operasi sistem

Saklar daya

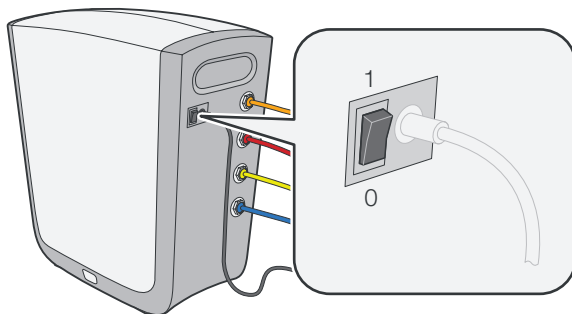


Figure 2. Saklar daya

Posisi	Deskripsi
1	Cleone di mulai. Air dapat dibersihkan.
0	Cleone distop. Tidak ada air dibersihkan. Air dari tangki air bersih dapat digunakan sampai tangki kosong.

Indikator operasi sistem

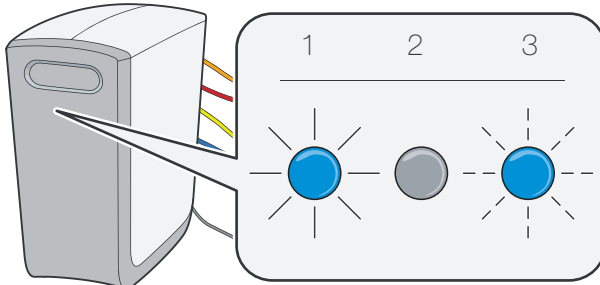


Figure 3. Indikator operasi sistem

Pos	Deskripsi
1	Aktif - Cleone beroperasi dengan benar.
2	Tidak aktif - Cleone dinonaktifkan. Apabila tombol power sudah dalam posisi "1" lihat "Pemecahan Masalah".
3	Berkedip - Ada masalah dengan Cleone. Lihat "Pemecahan Masalah" atau hubungi dealer Bluewater Anda.

Cleone dalam

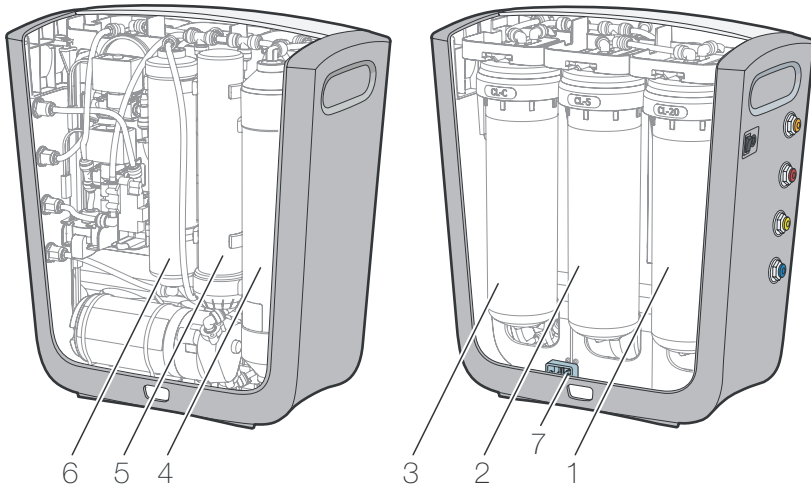


Figure 4. Cleone dalam

Pos	Deskripsi	Pos	Deskripsi
1	Kasar sedimen prefilter (CL-20)	5	Karbon postfilter diaktifkan (CL-Inline-C) Lampu UV <small>(Classic, Balance, Ultra) (PurityPlus)</small>
2	Prefilter sediment halus (CL-5)	6	Lampu UV Filter mineral terintegrasi Posisi dibiarkan kosong untuk Classic. <small>(Ultra) (Balance, PurityPlus)</small>
3	Karbon prefilter diaktifkan (CL-C)	7	Saklar sistem perlindungan kebocoran
4	Membran reverse osmosis		

SISTEM IKHTISAR

Deskripsi sistem

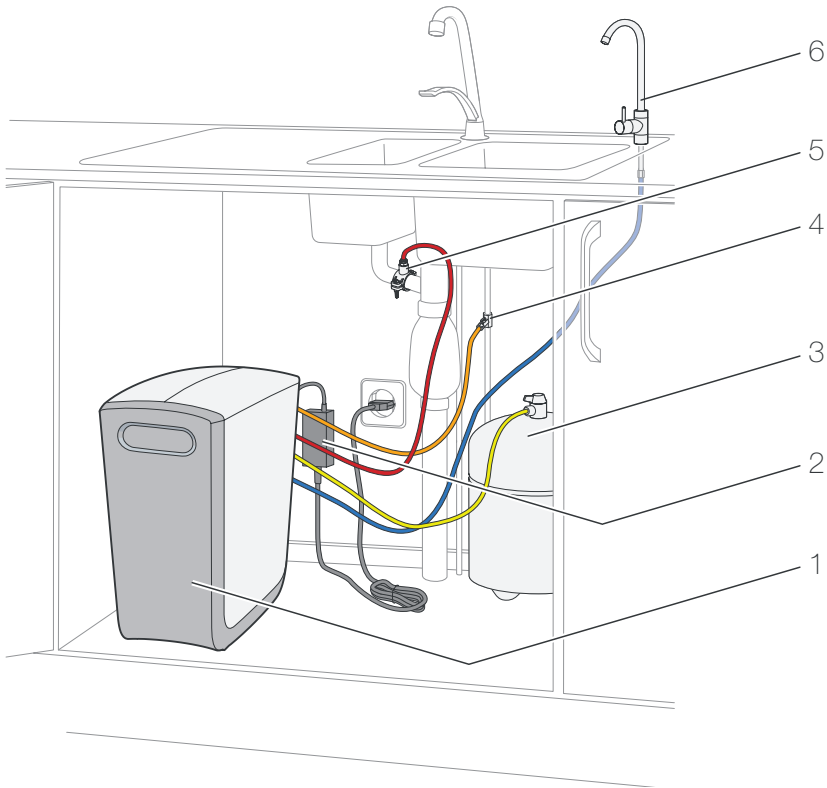


Figure 5. Sistem Ikhtisar

Pos	Deskripsi	Pos	Deskripsi
1	Cleone penjernih air	4	Koneksi umpan air
2	Adaptor daya	5	Aliran sambungan air
3	Bersihkan tangki air	6	Kran air bersih

Instalasi



Untuk pemasangan di US, instruksi khusus yang diperlukan. Lihat Complete User manual.



Sebaiknya bahwa Cleone diinstal oleh seorang profesional, yang direkomendasikan oleh dealer Bluewater resmi. Petunjuk instalasi dapat ditemukan di www.bluewatergroup.com.

ID

Tujuan penggunaan

Cleone adalah penjernih air untuk digunakan di rumah. Jangan menggunakannya untuk tujuan lain. Penggunaan selain lingkungan rumah dan untuk tujuan selain menjernihkan air untuk keperluan rumah tangga dianggap sebagai penggunaan yang tidak diinginkan dan secara otomatis akan membatalkan garansi Cleone Anda.

Sistem penyaringan air

Cleone membersihkan air dalam tiga langkah: prefiltration, membran filtrasi dan postfiltration. Air bersih dari Cleone dikumpulkan dalam tangki air bersih. Ketika tangki penuh, Cleone dimasukkan ke dalam modus siaga. Ketika tingkat tangki air bersih rendah, Cleone membuka pasokan air umpan dan mulai air bersih.

Sambungan air

Ada empat konektor air di sisi koneksi Cleone. Cincin collet dan tubing memiliki kode warna.

Warna	Sambungan	Deskripsi
ORANGE	Umpan air	Sambungan umpan air menyediakan umpan air ke Cleone.
MERAH	Aliran air	Alirkan air dari Cleone ke pipa pembuangan berisi flush dan kontaminasi yang ditolak.
KUNING	Bersihkan tangki air	Air bersih dikumpulkan dalam tangki air bersih sebelum dipasang ke kran air bersih.
BIRU	Kran air bersih	Air bersih dari Cleone ke kran air bersih.

Siram membran cerdas

Membran reverse osmosis mengguyur secara teratur dengan air dalam modus siaga. Membran juga mengguyur sebelum dan sesudah siklus pembersihan. Hal ini memastikan bahwa proses pembersihan selalu dimulai dengan air umpan segar.

Sistem kualitas air

Proses pembersihan terus dipantau untuk memastikan bahwa kualitas air yang baik. Jika kualitas air menurun, sistem indikator operasi berkedip. Jika masalah berlanjut, Cleone berhenti.

Sistem perlindungan kebocoran

Sebuah sensor di bagian bawah Cleone mendeteksi kebocoran air. Jika ada kebocoran, pasokan air umpan dihentikan. Cleone tidak dapat dijalankan lagi sampai kebocoran telah diperbaiki.

Informasi teknis



Untuk informasi teknis yang lebih rinci lihat www.bluewatergroup.com

Parameter/Model	Cleone Classic	Cleone Balance	Cleone Ultra	Cleone PurityPlus
Size LxDxT [mm]	215x380x416	215x380x416	215x380x416	215x380x416
Berat [kg]	10.4	11	11.4	12
Pasokan daya	95-240V 50-60Hz	95-240V 50-60Hz	95-240V 50-60Hz	95-240V 50-60Hz
Laju aliran air murni [l / hari (GPD)]	160 (43)	160 (43)	160 (43)	160 (43)

PEMELIHARAAN

Pemeliharaan harian

Untuk membersihkan Cleone



Tidak gunakan bahan kimia untuk membersihkan permukaan. Alkohol, bensin, asam organik dan anorganik, bahan kimia dasar yang kuat (seperti terkonsentrasi hidangan cuci deterjen) akan menyebabkan kerusakan pada permukaan.



Tidak menggunakan alat keras atau tajam untuk membersihkan Cleone.

Langkah	Tindakan
1	Bersihkan permukaan luar dengan kain lembab yang lembut dan solusi sabun lembut untuk menghilangkan debu, noda dan kotoran.
2	Keringkan dengan kain kering yang lembut.

Pemeliharaan rutin



Pemeliharaan rutin penting untuk fungsi yang benar dan operasional jangka panjang. Hanya petugas yang teredukasi dan mendapat persetujuan dapat melakukan pemeliharaan.



Kualitas air mengontrol frekuensi pemeliharaan. Apabila umpan air berisi padatan larutan tingkat tinggi, lakukan perawatan lebih sering.



Untuk petunjuk tentang cara untuk melakukan pemeliharaan, lihat Lengkap Panduan pengguna di www.bluewatergroup.com

Frekuensi	Deskripsi
6 bulan	Ganti sedimen prefilter kasar (CL-20)
	Ganti prefilter sedimen halus (CL-5)
	Ganti prefilter karbon aktif (CL-C)
	Ganti filter mineral terintegrasi
	Menyiram prefilter karbon aktif
	Lakukan tekanan air umpan dan memeriksa kualitas
1 tahun	Ganti postfilter karbon aktif (CL-Inline-C)
	Ganti lampu UV
	Menyiram postfilter karbon aktif
3-5 tahun	Ganti membran reverse osmosis

PEMECAHAN MASALAH

Bagaimana mengatasi masalah sederhana



Untuk masalah yang lebih parah, lihat Lengkap Panduan pengguna di www.bluewatergroup.com

Gejala	Penyebab	Solusi
Tidak ada air berasal dari keran air bersih. Sistem indikator operasi tidak aktif.	Cleone tidak terhubung ke listrik.	Hubungkan Cleone ke outlet listrik dan adaptor daya. Pastikan bahwa kabel 24V DC dari adaptor daya tersambung ke soket listrik electrical di Cleone.
	Cleone tidak dimulai.	Pindahkan saklar daya ke posisi 1.
	Kebocoran internal telah diidentifikasi. Cleone telah secara otomatis berhenti.	Hubungi dealer Bluewater Anda untuk memperbaiki kebocoran dan reset sistem.
Tidak ada air berasal dari keran air bersih. Sistem indikator operasi aktif.	Cleone telah diinstal untuk pertama kalinya dan sistem ini tidak diisi dengan air.	Tunggu sistem yang akan diisi dengan air.
	Tabung air tidak terhubung atau sambungan dibuat secara tidak benar.	Pastikan bahwa koneksi yang dibuat dengan benar.
	Pemeliharaan rutin belum dilakukan. Prefilters tersumbat.	Hubungi dealer Bluewater Anda untuk melakukan pemeliharaan pada Cleone.
Tidak ada air berasal dari keran air bersih. Sistem indikator operasi berkedip dengan intensitas tinggi (0.1 detik AKTIF, 0.1 detik TIDAK AKTIF).	Tekanan air umpan terlalu rendah dan sistem perlindungan pompa telah menghentikan pasokan air umpan.	Cleone akan mulai beroperasi seperti biasa ketika tekanan umpan air kembali.
Tidak ada air berasal dari keran air bersih. Sistem indikator operasi berkedip secara cepat (0.5 detik AKTIF, 0.5 detik TIDAK AKTIF).	Cleone telah berhenti, karena kualitas air rendah.	Hubungi dealer Bluewater untuk pelayanan.
Sistem indikator operasi berkedip secara cepat (0.5 detik AKTIF, 0.5 detik TIDAK AKTIF). Air berasal dari keran air bersih.	Kualitas air telah berkurang.	Aman untuk penggunaan air yang telah dibersihkan. Hubungi dealer Bluewater untuk informasi lebih lanjut.
Sistem indikator operasi berkedip secara lambat (2 detik AKTIF, 2 detik TIDAK AKTIF).	Filter harus diganti.	Lihat "Pemeliharaan rutin" untuk informasi tentang pada saat mengganti filter. Ganti filter dan reset indikator filter seperti yang dijelaskan dalam Complete User manual.
Laju aliran dari keran air bersih rendah.	Tangki air bersih kosong karena konsumsi air yang tinggi.	Upgrade ke tangki yang lebih besar atau membran kapasitas tinggi.
	Tekanan udara di tangki air bersih rendah.	Hubungi dealer Bluewater Anda untuk mengembalikan tekanan udara yang benar dalam tangki air bersih.
Terlalu banyak suara terus menerus selama penjernihan air.	Hal ini diperlukan untuk melakukan perawatan pada pompa booster.	Hubungi dealer Bluewater Anda.

Περιεχόμενα

ΑΣΦΑΛΕΙΑ.....	108
Οδηγίες σχετικά με την ασφάλεια.....	108
Πληροφορίες ασφαλείας.....	108
ΕΠΙΣΚΟΠΗΣΗ ΠΡΟΪΟΝΤΟΣ.....	109
Εξωτερική όψη του Cleone.....	109
Εσωτερικό του Cleone.....	110
ΕΠΙΣΚΟΠΗΣΗ ΣΥΣΤΗΜΑΤΟΣ.....	111
Περιγραφή συστήματος.....	111
Εγκατάσταση.....	111
Προοριζόμενη χρήση.....	112
Σύστημα φιλτραρίσματος νερού.....	112
Ευφυής έκπλυση μεμβράνης.....	112
Σύστημα ποιότητας νερού.....	112
Σύστημα προστασίας από διαρροές.....	112
Τεχνικές πληροφορίες.....	112
ΣΥΝΤΗΡΗΣΗ.....	113
Καθημερινή συντήρηση.....	113
Τακτική συντήρηση.....	113
ΑΝΤΙΜΕΤΩΠΙΣΗ ΠΡΟΒΛΗΜΑΤΩΝ.....	114
Τρόπος επίλυσης απλών προβλημάτων.....	114

Εξυπηρέτηση πελατών

Ανατρέξτε στην ενότητα "Τακτική συντήρηση" για την επίλυση δευτερευόντων προβλημάτων, προτού καλέσετε την τεχνική εξυπηρέτηση. Εάν χρειάζεστε εξωτερική τεχνική εξυπηρέτηση, αυτό μπορεί να περιλαμβάνει χρέωση.

Κατά την επικοινωνία σας με την Bluewater, βεβαιωθείτε ότι έχετε διαθέσιμα τα παρακάτω στοιχεία (βρίσκονται στην πινακίδα στοιχείων στο πίσω μέρος του φίλτρου):

- Μοντέλο
- Αριθμός προϊόντος
- Αριθμός σειράς

Περιβαλλοντικές πληροφορίες



Το 80% των εξαρτημάτων του φίλτρου νερού και της συσκευασίας του φέρουν ετικέτα που βοηθά την ορθή ανακύκλωση και απόρριψή τους. Το φίλτρο νερού είναι πιο αποτελεσματικό όταν καθαρίζει νερό για μεγαλύτερα χρονικά διαστήματα. Παράδειγμα: μην γεμίζετε ένα ποτήρι με νερό. Γεμίστε μια κανάτα.



Οι συσκευές που φέρουν αυτό το σύμβολο πρέπει να παραδίδονται στα καθαρισμένα σημεία συλλογής για την απόρριψη ηλεκτρικού και ηλεκτρονικού εξοπλισμού.

Αυτό το προϊόν δεν πρέπει να απορρίπτεται χρησιμοποιώντας τις διαδικασίες αποκομιδής που αντιστοιχούν στα κοινά οικιακά απορρίμματα.

ΑΣΦΑΛΕΙΑ

Οδηγίες σχετικά με την ασφάλεια

Προτού εγκαταστήσετε ή χειριστείτε τη συσκευή, οφείλετε να διαβάσετε τις πληροφορίες για την ασφάλεια. Τηρήστε τις οδηγίες του παρόντος εγχειριδίου για να αποτρέψετε τραυματισμούς ή ζημία του εξοπλισμού. Αυτό το εγχειρίδιο περιέχει ΠΡΟΦΥΛΑΞΕΙΣ και ΕΙΔΟΠΟΙΗΣΕΙΣ που αφορούν στον ασφαλή χειρισμό της συσκευής.



Ένα στοιχείο με την ένδειξη ΠΡΟΦΥΛΑΞΗ υποδεικνύει συνθήκες που μπορούν να προκαλέσουν ζημιά στον εξοπλισμό. Τηρήστε τις οδηγίες και μην συνεχίσετε μέχρι την αποδοχή και εφαρμογή όλων των προϋποθέσεων.



Ένα στοιχείο με την ένδειξη Ειδοποίηση υποδεικνύει σημαντικές πληροφορίες για την απροβλημάτιστη και βέλτιστη χρήση του Cleone.

Πληροφορίες ασφαλείας



Μην αποσυνδέετε τους εξωτερικούς σωλήνες παροχής νερού και μην εκτελείτε εργασίες σε αυτούς. Εάν είναι απαραίτητο να αποσυνδέσετε τους σωλήνες νερού, επικοινωνήστε με τον αντιπρόσωπο της Bluewater για υποστήριξη. Σε περίπτωση εκτάκτου ανάγκης, ακολουθήστε τις οδηγίες στο Πλήρες εγχειρίδιο χρήσης.



Αυτή η συσκευή μπορεί να χρησιμοποιηθεί από παιδιά ηλικίας άνω των 8 ετών. Μπορεί επίσης να χρησιμοποιηθεί από άτομα με μειωμένες φυσικο-κινητικές ή διανοητικές ικανότητες ή με έλλειψη εμπειρίας και γνώσεων, εφόσον εποπτεύονται ή έχουν λάβει οδηγίες σχετικά με την ασφαλή χρήση της συσκευής και κατανοούν τους ενεχόμενους κινδύνους.



Μην επισκευάζετε και μην τροποποιήσετε τα εσωτερικά εξαρτήματα του Cleone. Αυτό μπορεί να οδηγήσει σε εσφαλμένη λειτουργία του Cleone ή να καταστήσει τη χρήση του μη ασφαλή.



Χρησιμοποιείτε μόνο το γνήσιο φιλτράρισμα νερού της Bluewater ως την πηγή τροφοδοσίας νερού του Cleone. Η χρήση διαφορετικού φιλτράρισμα νερού μπορεί να καταστήσει τη χρήση του Cleone επικίνδυνη. Μπορεί επίσης να προκαλέσει βλάβη στα εσωτερικά εξαρτήματα του Cleone. Μην χρησιμοποιείτε το καλώδιο εάν υπάρχουν ορατές ενδείξεις φθοράς σε αυτό. Εάν το καλώδιο τροφοδοσίας νερού υποστεί ζημιά, αντικαταστήστε το για να αποτρέψετε τον πιθανό κίνδυνο.



Μόνο το εξουσιοδοτημένο προσωπικό της Bluewater επιτρέπεται να εκτελέσει τεχνική συντήρηση, συντήρηση και επισκευές στο Cleone. Χρησιμοποιείτε μόνο γνήσιες ανταλλακτικές φύσιγγες και εξαρτήματα της Bluewater.



Μην τοποθετείτε το Cleone μέσα σε νερό. Καθαρίστε την επιφάνεια με νωπό πανί και ήπιο διάλυμα σαπουνιού. Μην χρησιμοποιείτε χημικά για τον καθαρισμό της επιφάνειας του Cleone. Η αλκοόλη, η βενζίνη, τα οργανικά και ανόργανα οξέα, τα ισχυρά χημικά βάσης (όπως το συμπυκνωμένο υγρό πιάτων) προκαλούν ζημιά στην επιφάνεια του Cleone.



Μην τοποθετείτε ή φυλάσσετε αντικείμενα επάνω στο Cleone.



Μην χρησιμοποιείτε το Cleone με μικροβιακά επικίνδυνη παροχή νερού ή σε παροχή νερού με άγνωστη μικροβιακή ποιότητα.

ΕΠΙΣΚΟΠΗΣΗ ΠΡΟΪΟΝΤΟΣ

Μοντέλο	Cleone Classic	Cleone Balance	Cleone Ultra	Cleone PurityPlus
Λυχνία UV			✓	✓
Ενσωματωμένο ορυκτό φίλτρο		✓		✓

Εξωτερική όψη του Cleone

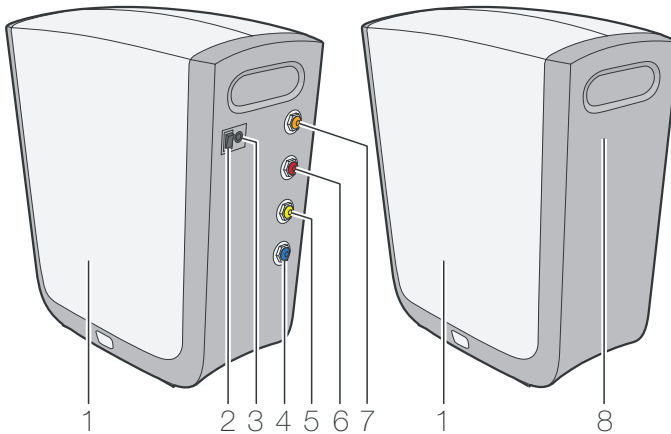


Figure 6. Εξωτερική όψη του Cleone

Θέση	Περιγραφή	Θέση	Περιγραφή
1	Πλευρικό κάλυμμα	5	Σύνδεσμος δεξαμενής καθαρού νερού - ΚΙΤΡΙΝΟ
2	Διακόπτης ρεύματος	6	Σύνδεσμος αποστράγγισης νερού - ΚΟΚΚΙΝΟ
3	Ηλεκτρική σύνδεση	7	Σύνδεσμος εισαγωγής νερού - ΠΟΡΤΟΚΑΛΙ
4	Σύνδεσμος βρύσης καθαρού νερού - ΜΠΛΕ	8	Ένδειξη λειτουργίας συστήματος

Διακόπτης ρεύματος

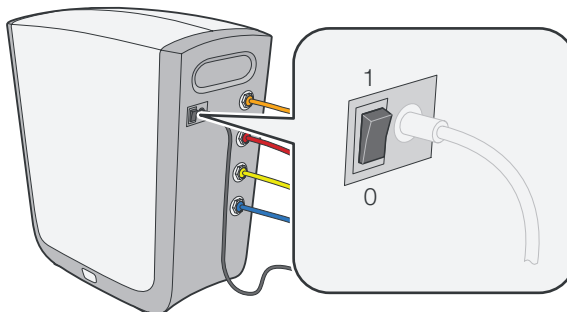


Figure 7. Διακόπτης ρεύματος

Θέση	Περιγραφή
1	Εκκίνηση του Cleone. Μπορεί να πραγματοποιηθεί φιλτράρισμα νερού.
0	Το Cleone έχει σταματήσει. Δεν εκτελείται φιλτράρισμα νερού. Το νερό από τη δεξαμενή καθαρού νερού μπορεί να χρησιμοποιηθεί μέχρι να αδειάσει η δεξαμενή.

Ένδειξη λειτουργίας συστήματος

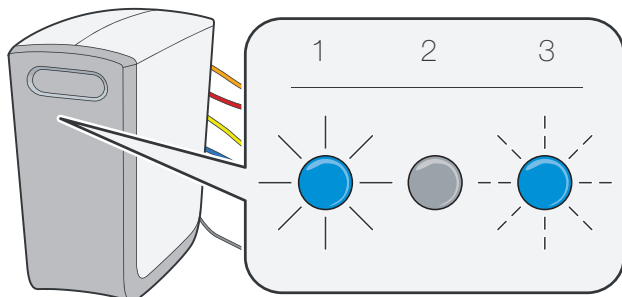


Figure 8. Ένδειξη λειτουργίας συστήματος

Θέση	Περιγραφή
1	Ενεργό – Το Cleone λειτουργεί σωστά.
2	Ανενεργό – Το Cleone είναι απενεργοποιημένο. Εάν ο διακόπτης τροφοδοσίας ρεύματος βρίσκεται στη θέση "1" ανατρέξτε στην ενότητα "Αντιμετώπιση προβλημάτων".
3	Αναβοσβήνει – Υπάρχει κάποιο πρόβλημα με το Cleone. Ανατρέξτε στην ενότητα "Αντιμετώπιση προβλημάτων" ή επικοινωνήστε με τον αντιπρόσωπο της Bluewater.

Εσωτερικό του Cleone

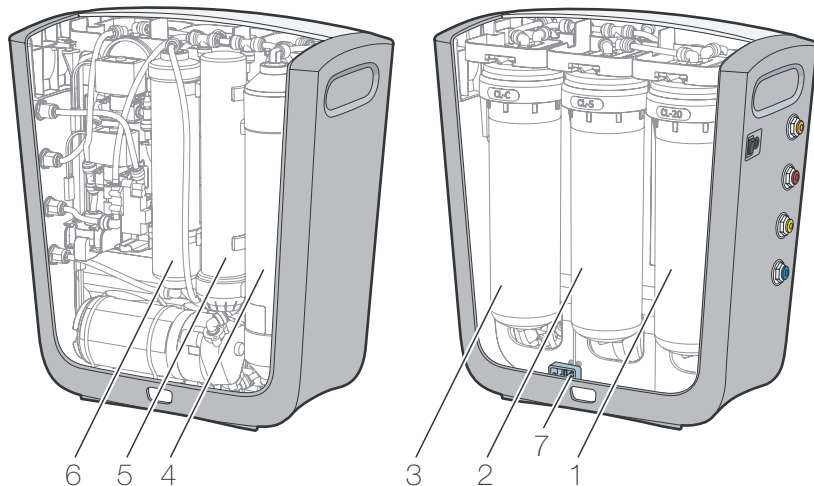


Figure 9. Εσωτερικό του Cleone

Θέση	Περιγραφή	Θέση	Περιγραφή
1	Προφίλτρο τραχένων ιζημάτων (CL-20)	5	Μετά-φίλτρο ενεργού άνθρακα (CL-Ενδιάμεσο-C) Λυχνία UV (Classic, Balance, Ultra) (PurityPlus)
2	Προφίλτρο λεπτόκοκκων ιζημάτων (CL-5)	6	Λυχνία UV Ενσωματωμένο οριζόντιο φίλτρο Η θέση είναι κενή στο μοντέλο Classic. (Ultra) (Balance, PurityPlus)
3	Προφίλτρο ενεργού άνθρακα (CL-C)	7	Διακόπτης συστήματος προστασίας από διάρροες
4	Μεμβράνη αντίστροφης όσμωσης		

ΕΠΙΣΚΟΠΗΣΗ ΣΥΣΤΗΜΑΤΟΣ

Περιγραφή συστήματος

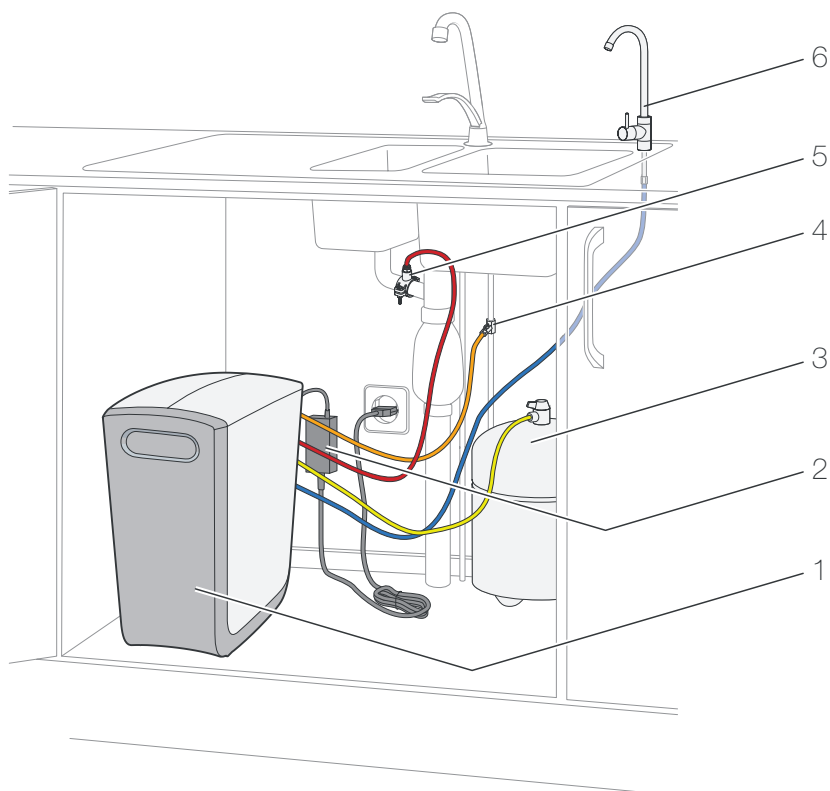


Figure 10. Επισκόπηση συστήματος

Θέση	Περιγραφή	Θέση	Περιγραφή
1	Φίλτρο νερού Cleone	4	Σύνδεση τροφοδοσίας νερού
2	Φις παροχής ρεύματος	5	Σύνδεσμος αποστράγγισης νερού
3	Δεξαμενή καθαρού νερού	6	Βρύση καθαρού νερού

Εγκατάσταση



Για την εγκατάσταση στις ΗΠΑ απαιτούνται ειδικές οδηγίες. Ανατρέξτε στο Πλήρες εγχειρίδιο χρήσης.



Συστήνεται η εγκατάσταση του Cleone από επαγγελματίες που προτείνεται από εξουσιοδοτημένο αντιπρόσωπο της Bluewater. Οι οδηγίες εγκατάστασης διατίθενται στη διεύθυνση www.bluewatergroup.com.

Προοριζόμενη χρήση

Το Cleone είναι ένα φίλτρο νερού για οικιακή χρήση. Μην το χρησιμοποιήσετε για κανένα άλλο σκοπό. Οποιαδήποτε χρήση πέραν του εσωτερικού οικιακού περιβάλλοντος και για σκοπούς πέραν του καθαρισμού νερού για οικιακή χρήση θεωρείται μη προοριζόμενη χρήση και ακυρώνει αυτόματα την εγγύηση του Cleone.

Σύστημα φιλτραρίσματος νερού

Το Cleone καθαρίζει το νερό σε τρία βήματα: προφιλτράρισμα, φιλτράρισμα μεμβράνης και μετά-φιλτράρισμα. Το καθαρό νερό από το Cleone συγκεντρώνεται στη δεξαμενή καθαρού νερού. Όταν η δεξαμενή είναι πλήρης, το Cleone μεταβαίνει σε λειτουργία αναμονής. Όταν η στάθμη στη δεξαμενή καθαρού νερού είναι χαμηλή, το Cleone ανοίγει την παροχή νερού και ξεκινά τον καθαρισμό του νερού.

Συνδέσεις παροχής νερού

Στην πλευρά συνδέσεων του Cleone υπάρχουν τέσσερις σύνδεσμοι νερού. Οι δακτύλιοι σύσφιξης και οι σωληνώσεις φέρουν χρωματικό κώδικα.

Χρώμα	Σύνδεση	Περιγραφή
ΠΟΡΤΟΚΑΛΙ	Νερό παροχής	Η σύνδεση νερού παροχής τροφοδοτεί νερό στο Cleone.
ΚΟΚΚΙΝΟ	Νερό αποστράγγισης	Το νερό αποστράγγισης από το Cleone στο σωλήνα αποχέτευσης περιέχει υλικό έκπλυσης και ρύπους απόρριψης.
ΚΙΤΡΙΝΟ	Δεξαμενή καθαρού νερού	Το καθαρό νερό συλλέγεται σε μια δεξαμενή καθαρού νερού πριν την τροφοδότησή του στη βρύση καθαρού νερού.
ΜΠΛΕ	Βρύση καθαρού νερού	Καθαρό νερό από το Cleone στη βρύση καθαρού νερού.

Ευφυής έκπλυση μεμβράνης

Η μεμβράνη αντίστροφης όσμωσης ξεπλένεται τακτικά με νερό στη λειτουργία αναμονής. Η μεμβράνη ξεπλένεται επίσης πριν και μετά τον κύκλο καθαρισμού. Αυτό διασφαλίζει ότι η διαδικασία καθαρισμού ξεκινά πάντα με φρέσκο νερό τροφοδοσίας.

Σύστημα ποιότητας νερού

Η διαδικασία καθαρισμού παρακολουθείται συνεχώς για να διασφαλιστεί ότι η ποιότητα του νερού είναι υψηλή. Εάν η ποιότητα του νερού μειωθεί, η ένδειξη λειτουργίας του συστήματος αναβοσβήνει. Εάν το πρόβλημα επιμένει, το Cleone σταματά.

Σύστημα προστασίας από διαρροές

Ένας αισθητήρας στη βάση του Cleone ανιχνεύει διαρροές νερού. Εάν υπάρχει διαρροή, η παροχή νερού τροφοδοσίας διακόπτεται. Το Cleone δεν μπορεί να επανεκκινήσει μέχρι να επισκευαστεί η διαρροή.

Τεχνικές πληροφορίες



Για πιο λεπτομερή τεχνικά στοιχεία, ανατρέξτε στη διεύθυνση www.bluewatergroup.com

Παράμετρος/Μοντέλο	Cleone Classic	Cleone Balance	Cleone Ultra	Cleone PurityPlus
Διαστάσεις ΠxΒxΥ [χλστ. (ίντσες)]	215x380x416 (8,5x15x16,4)	215x380x416 (8,5x15x16,4)	215x380x416 (8,5x15x16,4)	215x380x416 (8,5x15x16,4)
Βάρος [κιλά (λίβρες)]	10,4 (22,9)	11 (24,2)	11,4 (25,1)	12 (26,5)
Τροφοδοσία ρεύματος	95-240V 50-60Hz	95-240V 50-60Hz	95-240V 50-60Hz	95-240V 50-60Hz
Παροχή φιλτραρισμένου νερού [λίτρα/ημέρα (GPD)]	160 (43)	160 (43)	160 (43)	160 (43)

ΣΥΝΤΗΡΗΣΗ

Καθημερινή συντήρηση

Για τον καθαρισμό του Cleone



Μην χρησιμοποιείτε χημικά για τον καθαρισμό της επιφάνειας. Η αλκοόλη, η βενζίνη, τα οργανικά και ανόργανα οξέα, τα ισχυρά χημικά βάσης (όπως το συμπυκνωμένο υγρό πιάτων) προκαλούν ζημιά στην επιφάνεια.



Μην χρησιμοποιείτε σκληρά ή αιχμηρά εργαλεία για τον καθαρισμό του Cleone.

Βήμα	Ενέργεια
1	Καθαρίστε την εξωτερική επιφάνεια με υγρό μαλακό πανί και ήπιο διάλυμα σαπουνιού, για να απομακρύνετε τη σκόνη, τους λεκέδες και τους ρύπους.
2	Στεγνώστε με μαλακό, στεγνό πανί.

Τακτική συντήρηση



Η τακτική συντήρηση είναι σημαντική για την ορθή και μακροπρόθεσμη λειτουργία. Μόνο καταρτισμένο και εγκεκριμένο προσωπικό μπορεί να εκτελέσει τη συντήρηση.



Η ποιότητα του νερού διέπει τη συχνότητα της συντήρησης. Εάν η παροχή νερού περιέχει υψηλά επίπεδα διαλυμένων στερεών, η συντήρηση πρέπει να εκτελείται συχνότερα.



Για οδηγίες σχετικά με τον τρόπο εκτέλεσης της συντήρησης, ανατρέξτε στο Πλήρες εγχειρίδιο χρήσης στη διεύθυνση www.bluewatergroup.com

Συχνότητα	Περιγραφή
6 μήνες	Αντικαταστήστε το προφίλτρο τραχών ιζημάτων (CL-20)
	Αντικαταστήστε το προφίλτρο λεπτόκοκκων ιζημάτων (CL-5)
	Αντικαταστήστε το προφίλτρο ενεργού άνθρακα (CL-C)
	Αντικαταστήστε το ενσωματωμένο ορυκτό φίλτρο
	Εκτελέστε έκπλυση του προφίλτρου ενεργού άνθρακα
	Εκτελέστε έλεγχο της πίεσης και ποιότητας του νερού παροχής
1 έτος	Αντικαταστήστε το μετά-φίλτρο ενεργού άνθρακα (CL-Ενδιάμεσο-C)
	Αντικαταστήστε τη λυχνία UV
	Εκτελέστε έκπλυση του μετά-φίλτρου ενεργού άνθρακα
3-5 έτη	Αντικαταστήστε τη μεμβράνη αντίστροφης όσμωσης

ΑΝΤΙΜΕΤΩΠΙΣΗ ΠΡΟΒΛΗΜΑΤΩΝ

Τρόπος επίλυσης απλών προβλημάτων



Για συμπτώματα που δεν αναφέρονται στον πίνακα ή για σοβαρότερα προβλήματα, ανατρέξτε στο Πλήρες εγχειρίδιο χρήσης στη διεύθυνση www.bluewatergroup.com

Συμπτωμα	Αιτία	Λύση
Δεν εξέρχεται νερό από τη βρύση καθαρού νερού. Η ένδειξη λειτουργίας του συστήματος είναι αβηστή.	Το Cleone δεν είναι συνδεδεμένο στην παροχή ρεύματος.	Συνδέστε το Cleone σε ηλεκτρική πρίζα και στο φιν παροχής ρεύματος. Διασφαλίστε ότι το καλώδιο 24V συνεχούς ρεύματος του φιν παροχής ρεύματος είναι συνδεδεμένο στην πρίζα ρεύματος του Cleone.
	Το Cleone δεν έχει εκκινήσει.	Μετακινήστε το διακόπτη παροχής ρεύματος στη θέση 1.
	Ανιχνεύτηκε εσωτερική διαρροή Το Cleone σταμάτησε αυτόματα.	Επικοινωνήστε με τον αντιπρόσωπο της Bluewater για την επισκευή της διαρροής και την επαναφορά του συστήματος.
Δεν εξέρχεται νερό από τη βρύση καθαρού νερού. Η ένδειξη λειτουργίας του συστήματος είναι ενεργή.	Το Cleone εγκαταστάθηκε για πρώτη φορά και το σύστημα δεν έχει πληρωθεί με νερό.	Περιμένετε για να γεμίσει με νερό το σύστημα.
	Οι σωλήνες νερού δεν έχουν συνδεθεί ή οι συνδέσεις είναι λανθασμένες.	Διασφαλίστε την ορθή εκτέλεση των συνδέσεων.
	Δεν εκτελέστηκε τακτική συντήρηση. Τα προφίλτρα είναι φραγμένα.	Επικοινωνήστε με τον αντιπρόσωπο της Bluewater για την εκτέλεση συντήρησης στο Cleone.
Δεν εξέρχεται νερό από τη βρύση καθαρού νερού. Η ένδειξη λειτουργίας του συστήματος αναβοσβήνει με υψηλή ένταση (0,1 δευτ. Ενεργό, 0,1 δευτ. Σβηστό).	Η πίεση παροχής νερού είναι πολύ χαμηλή και το σύστημα προστασίας της αντλίας διέκοψε την παροχή νερού τροφοδοσίας.	Το Cleone θα ξεκινήσει να λειτουργεί ως συνήθως όταν επανέλθει η πίεση της παροχής νερού τροφοδοσίας. Πραγματοποιήστε έκλυση του Cleone, όπως περιγράφεται στο Πλήρες εγχειρίδιο χρήσης.
Δεν εξέρχεται νερό από τη βρύση καθαρού νερού. Η ένδειξη λειτουργίας του συστήματος αναβοσβήνει γρήγορα (0,5 δευτ. Ενεργό, 0,5 δευτ. Σβηστό).	Το Cleone σταμάτησε επειδή η ποιότητα νερού είναι χαμηλή.	Επικοινωνήστε με τον αντιπρόσωπο της Bluewater για τεχνική συντήρηση.
Η ένδειξη λειτουργίας του συστήματος αναβοσβήνει γρήγορα (0,5 δευτ. Ενεργό, 0,5 δευτ. Σβηστό). Εξέρχεται νερό από τη βρύση καθαρού νερού.	Η ποιότητα νερού μειώθηκε.	Η χρήση του καθαρού νερού είναι ασφαλής. Επικοινωνήστε με τον αντιπρόσωπο της Bluewater για περισσότερες πληροφορίες.
Η ένδειξη λειτουργίας του συστήματος αναβοσβήνει αργά (2 δευτ. Ενεργό, 2 δευτ. Σβηστό).	Τα φίλτρα πρέπει να αντικατασταθούν.	Ανατρέξτε στην ενότητα "Τακτική συντήρηση" για πληροφορίες σχετικά με το χρόνο αλλαγής των φίλτρων. Αντικαταστήστε τα φίλτρα και επαναφέρετε την ένδειξη των φίλτρων, όπως περιγράφεται στο Πλήρες εγχειρίδιο χρήσης.
Η παροχή της βρύσης καθαρού νερού είναι χαμηλή.	Η δεξαμενή καθαρού νερού είναι άδεια λόγω μεγάλης κατανάλωσης νερού.	Αναβαθμίστε σε μεγαλύτερη δεξαμενή ή σε μεμβράνη υψηλής ικανότητας.
	Η πίεση αέρα στη δεξαμενή καθαρού νερού είναι χαμηλή.	Επικοινωνήστε με τον αντιπρόσωπο της Bluewater για την επαναφορά της ορθής πίεσης αέρα στη δεξαμενή καθαρού νερού.
Υπερβολικός, συνεχόμενος θόρυβος κατά τον καθαρισμό νερού.	Απαιτείται συντήρηση της αντλίας ενίσχυσης.	Επικοινωνήστε με τον αντιπρόσωπο της Bluewater.

Bluewater is a world leading water purification company. Headquartered in Stockholm, Sweden, the company helps people and businesses globally enjoy the health and wellbeing benefits of cleaner, healthier tap water. Bluewater innovates, makes and sells compact water purifiers that harness the company's patented reverse osmosis technology to remove virtually all pollutants from tap water, including lead, bacteria, pesticides, medical residues, chlorine and limescale.

Please visit us at www.bluewatergroup.com



BLUEWATER

Danderydsgatan 11
SE-114 26 Stockholm
Sweden
E: info@bluewatergroup.com

www.bluewatergroup.com

